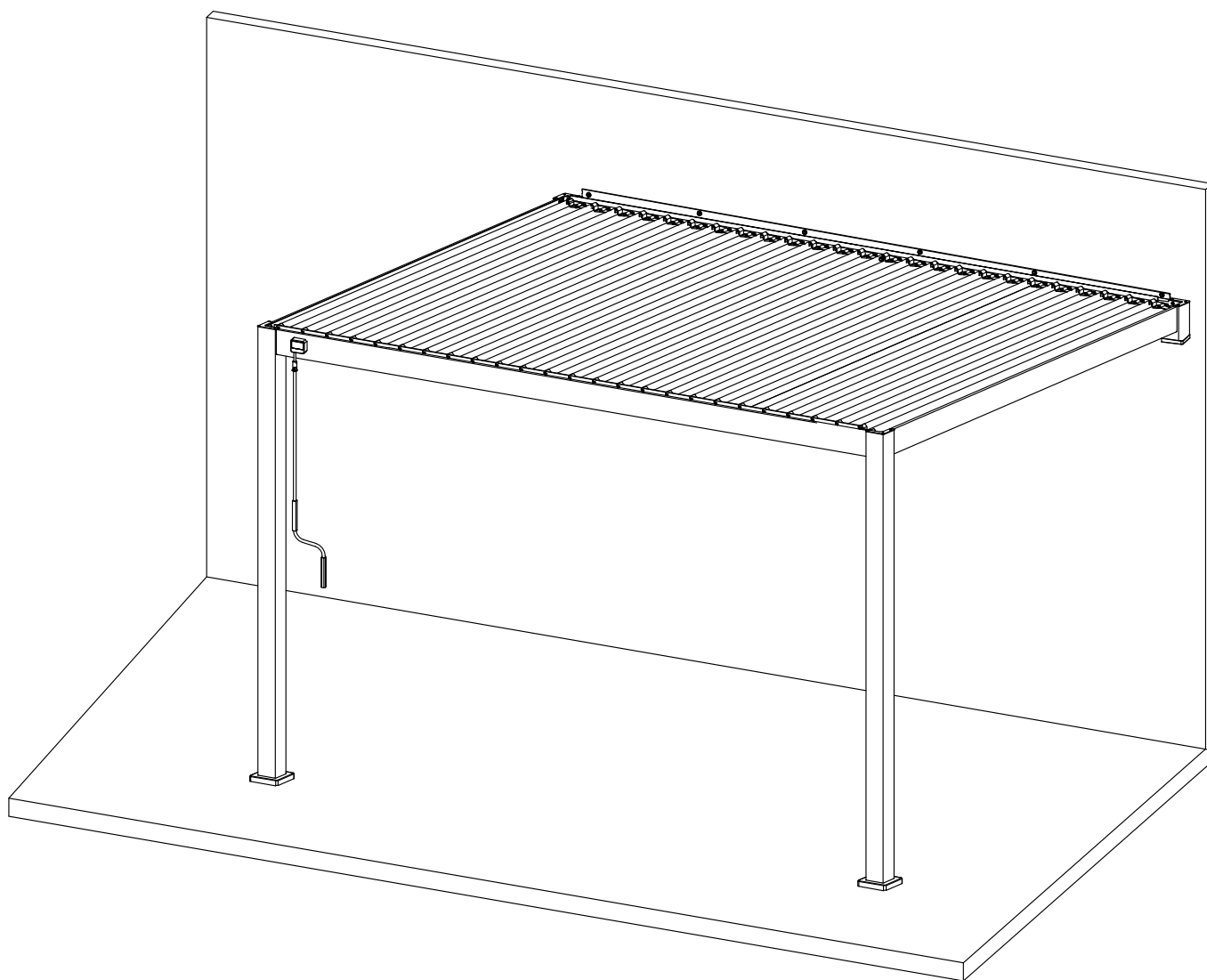


MIRADOR[®] 3x4m

User Manual



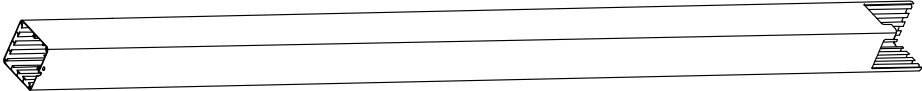
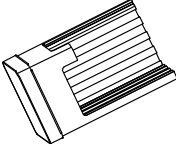
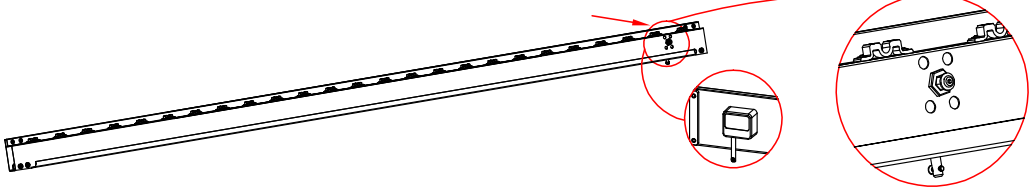
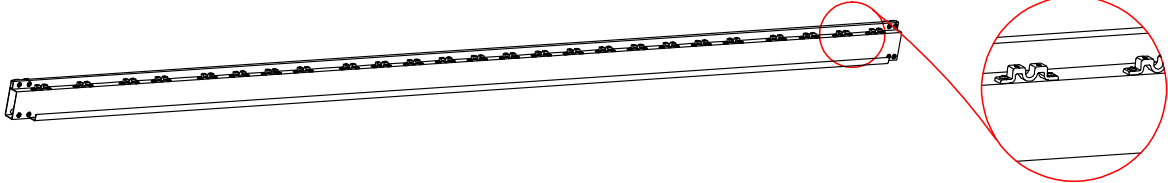
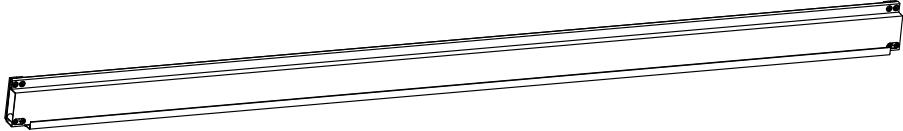
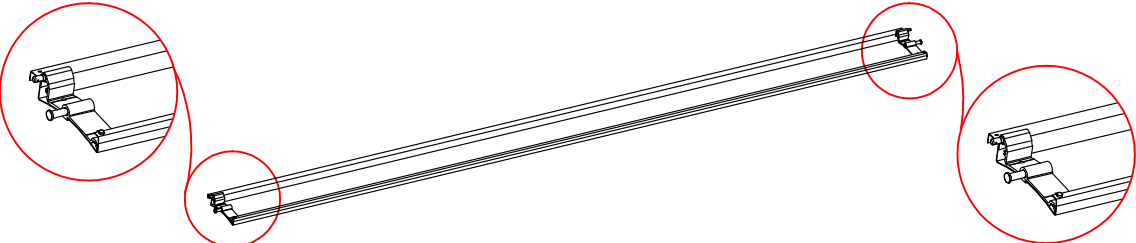

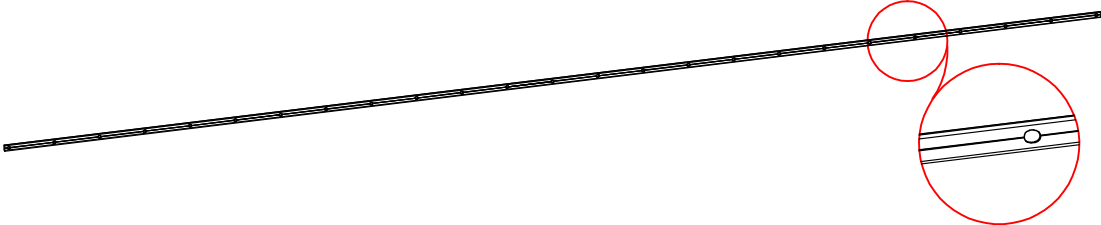

After-Sale Service Hotline: (+31)(0)40 780 4397

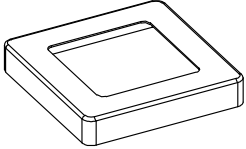
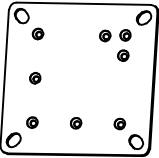
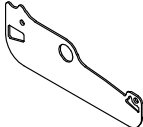
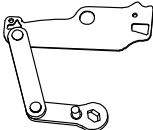
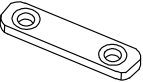
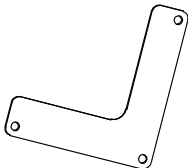
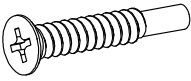
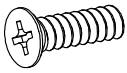

Address

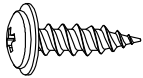
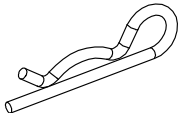

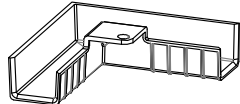
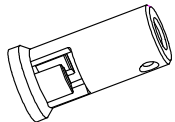
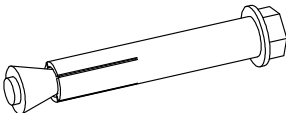

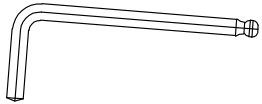
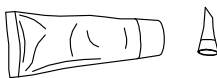
Cockeveld 3, 5672 AE Nuenen, The Netherlands

E-mail address: info@sorara.eu

	REF	QTY	REF	QTY	REF	QTY
Carton 1/4	(A)	2PCS	(A2)	2PCS	(I)	2PCS
	(J)	2PCS	(K)	51PCS	(L)	1PC
	(M)	52PCS	(N)	4PCS	(O)	12PCS
	(P)	104PCS	(Q)	104PCS	(R)	14PCS
	(S)	54PCS	(T2)	18PCS	(U2)	2PCS
	(V)	1PC	(W)	14PCS	(X)	1PC
	(Y)	2PCS	(Z3)	1PC	User Manual	1SET
Carton 2/4	(B1)	1PC	(B2)	1PC	(C)	2PCS
	(E)	1PC	(G)	2PCS	(H)	1PC
Carton 3/4	(D)	13PCS				
Carton 4/4	(D)	12PCS				

REF	PICTURE	QTY
A		2PCS
A2		2PCS
B1		1PC
B2		1PC
C		2PCS
D		25PCS
E		1PC
G		2PCS
H		1PC

REF	PICTURE	QTY
I		2PCS
J		2PCS
K		51PCS
L		1PC
M		52PCS
N		4PCS
O		12PCS
P	 M5x12mm	104PCS
Q	 4.2x25mm	104PCS

REF	PICTURE	QTY
R	 5.5x19mm	14PCS
S		54PCS
T2		18PCS
U2		2PCS
V		1PC
W		14PCS
X		1PC
Y		2PCS
Z3		1PC

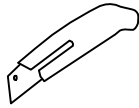
Warning

In snow season or in case of snow forecast open up your shutters in vertical position to avoid any damaging on your pergola.

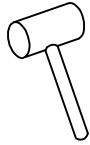
What you need?



Glove



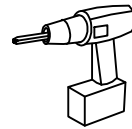
Knife



Hammer



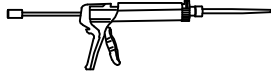
Safety hat



Electric screw driver



Tapeline



Glue gun



Ladder

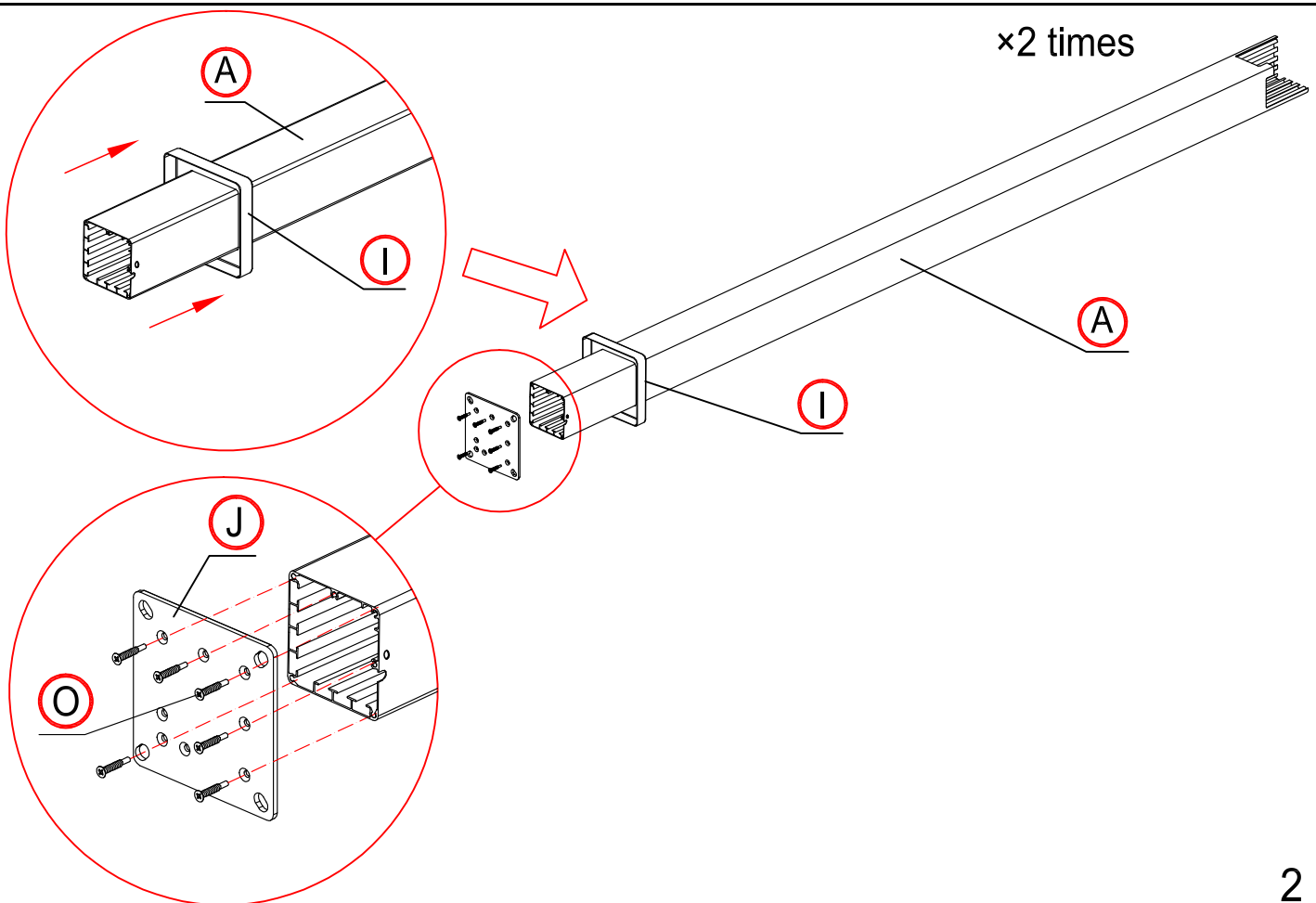


Level bar



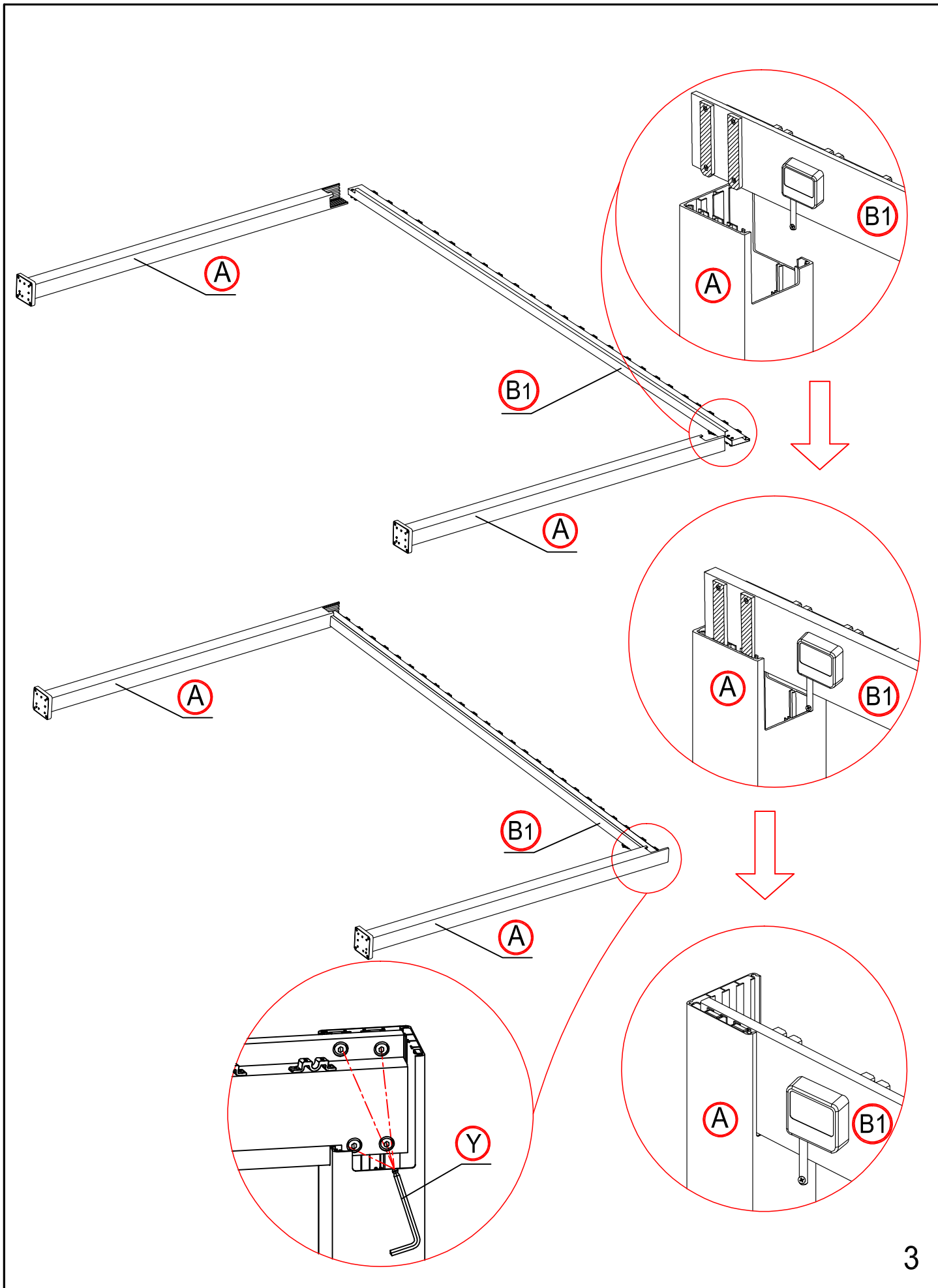
Adjusting wrench

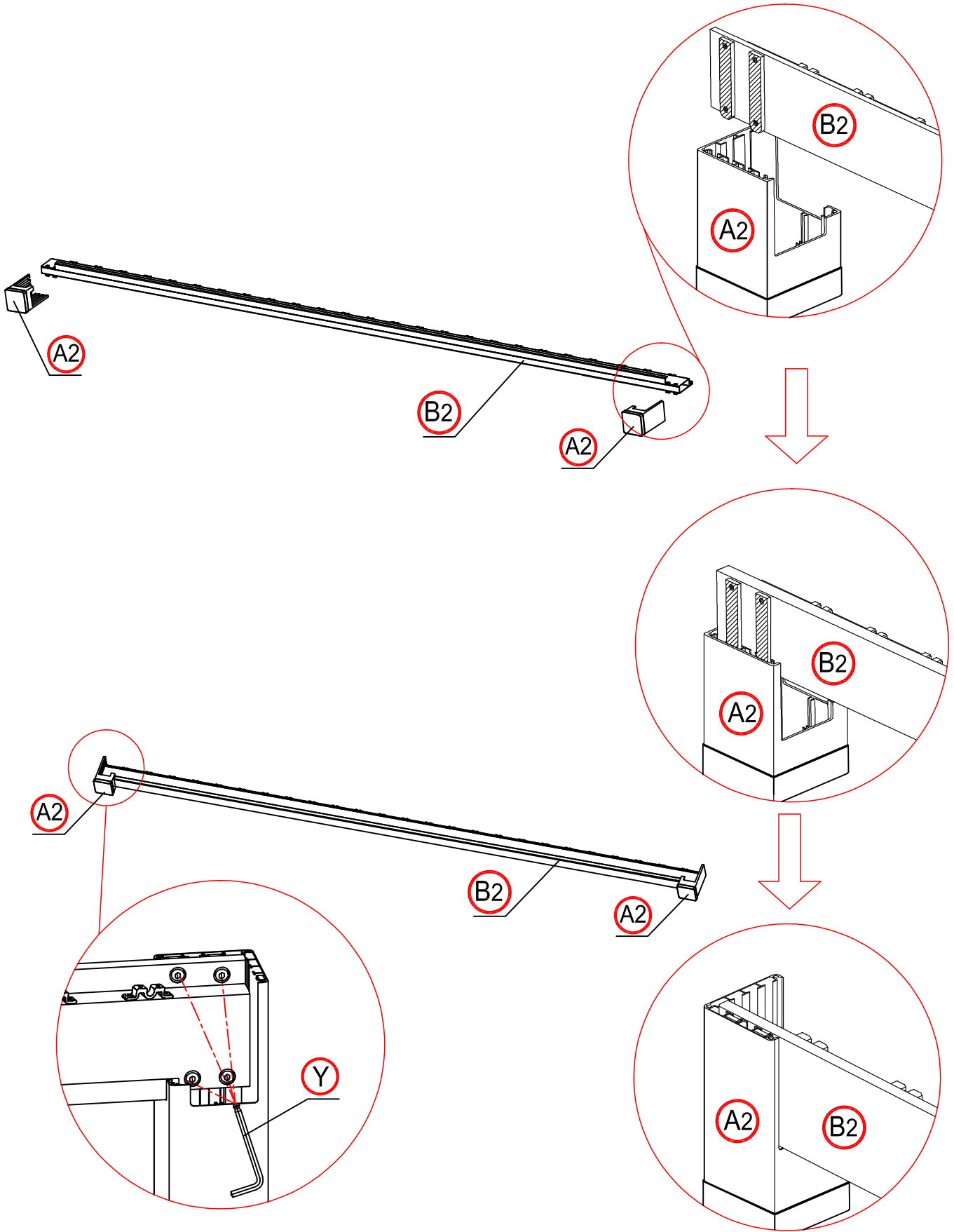
1



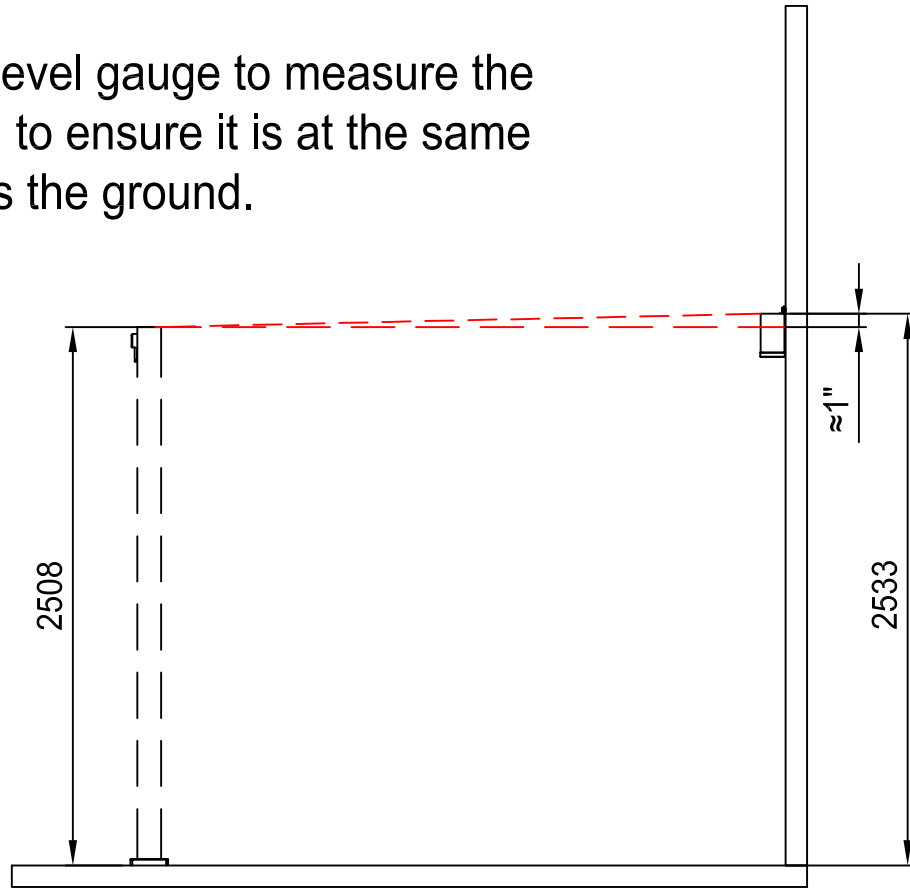
2

3

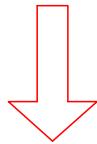




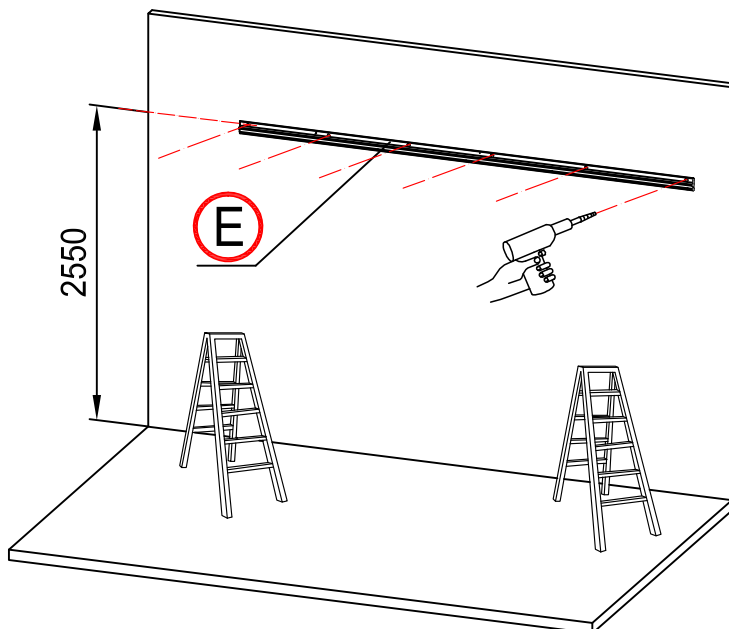
Use a level gauge to measure the ground to ensure it is at the same level as the ground.



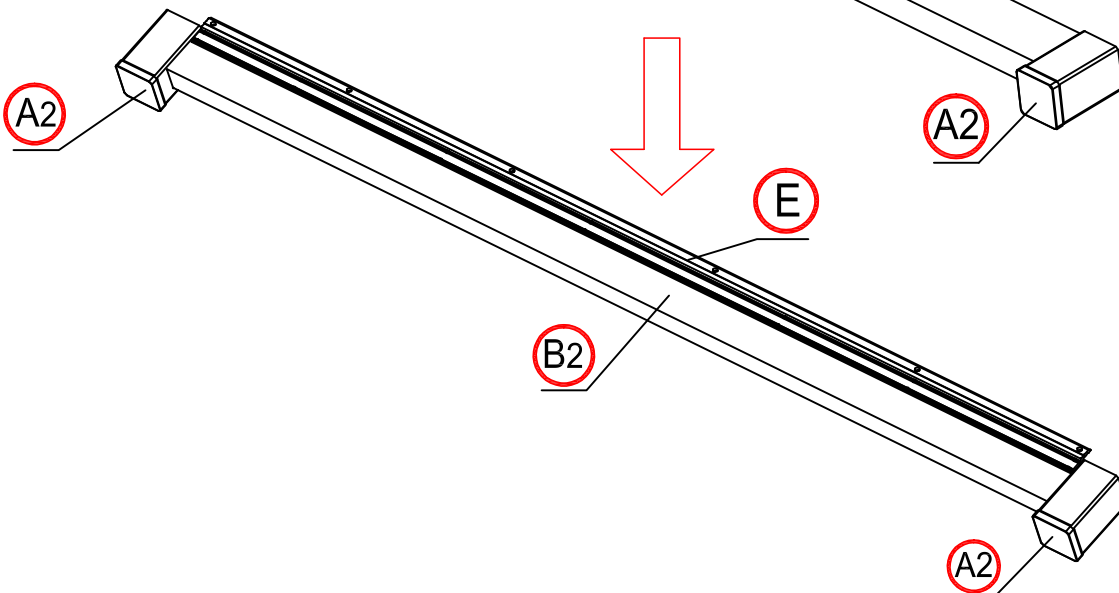
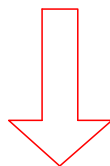
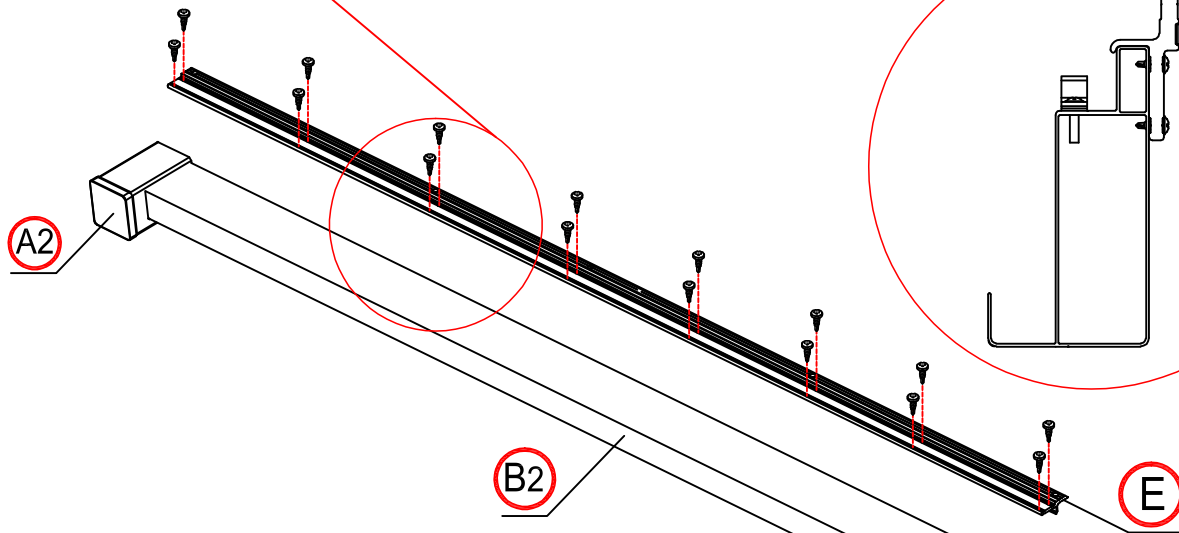
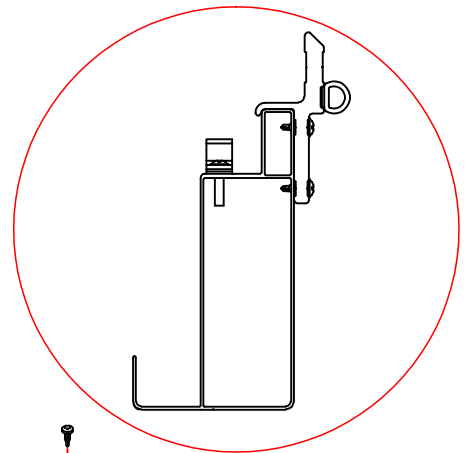
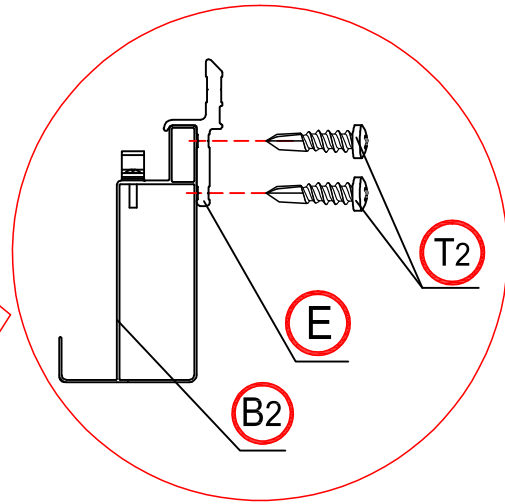
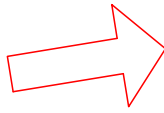
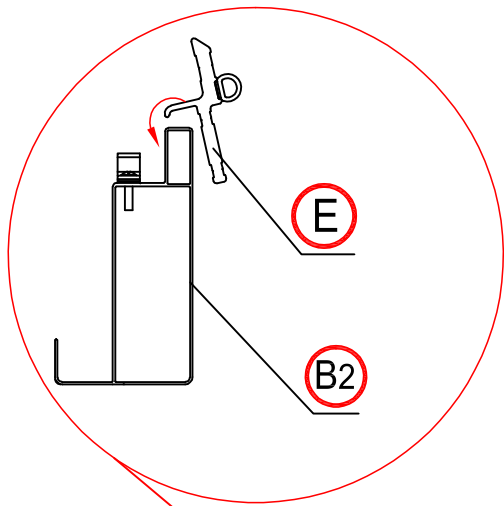
Actually, the horizon pole on the side of the wall is about an inch higher than the height of the opposite one to facilitate the flow of water from high to low when it rains.



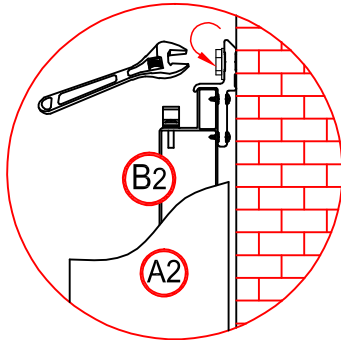
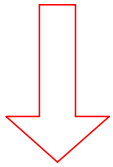
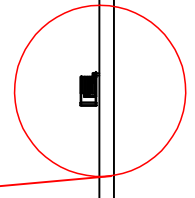
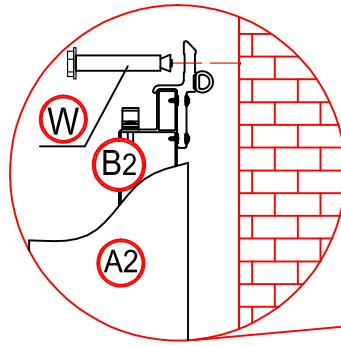
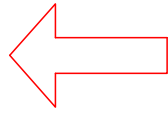
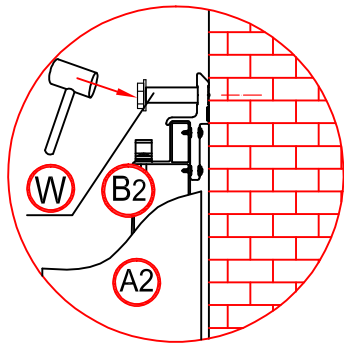
×6 times



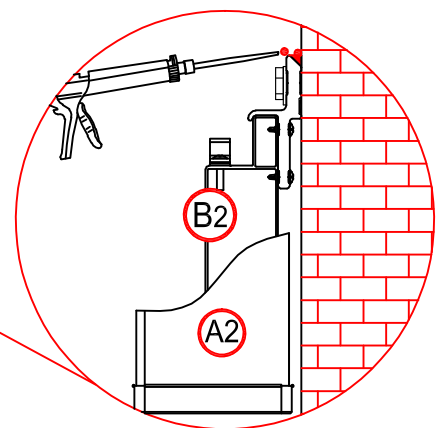
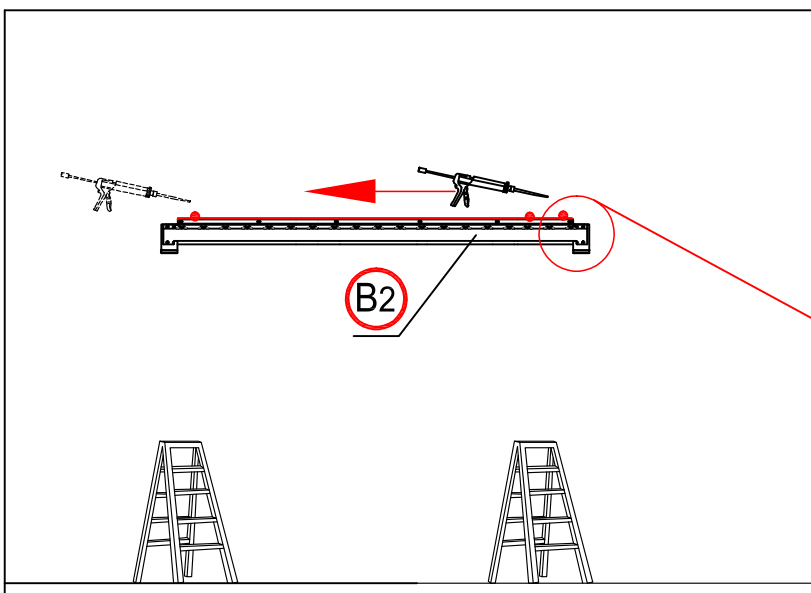
×16 times

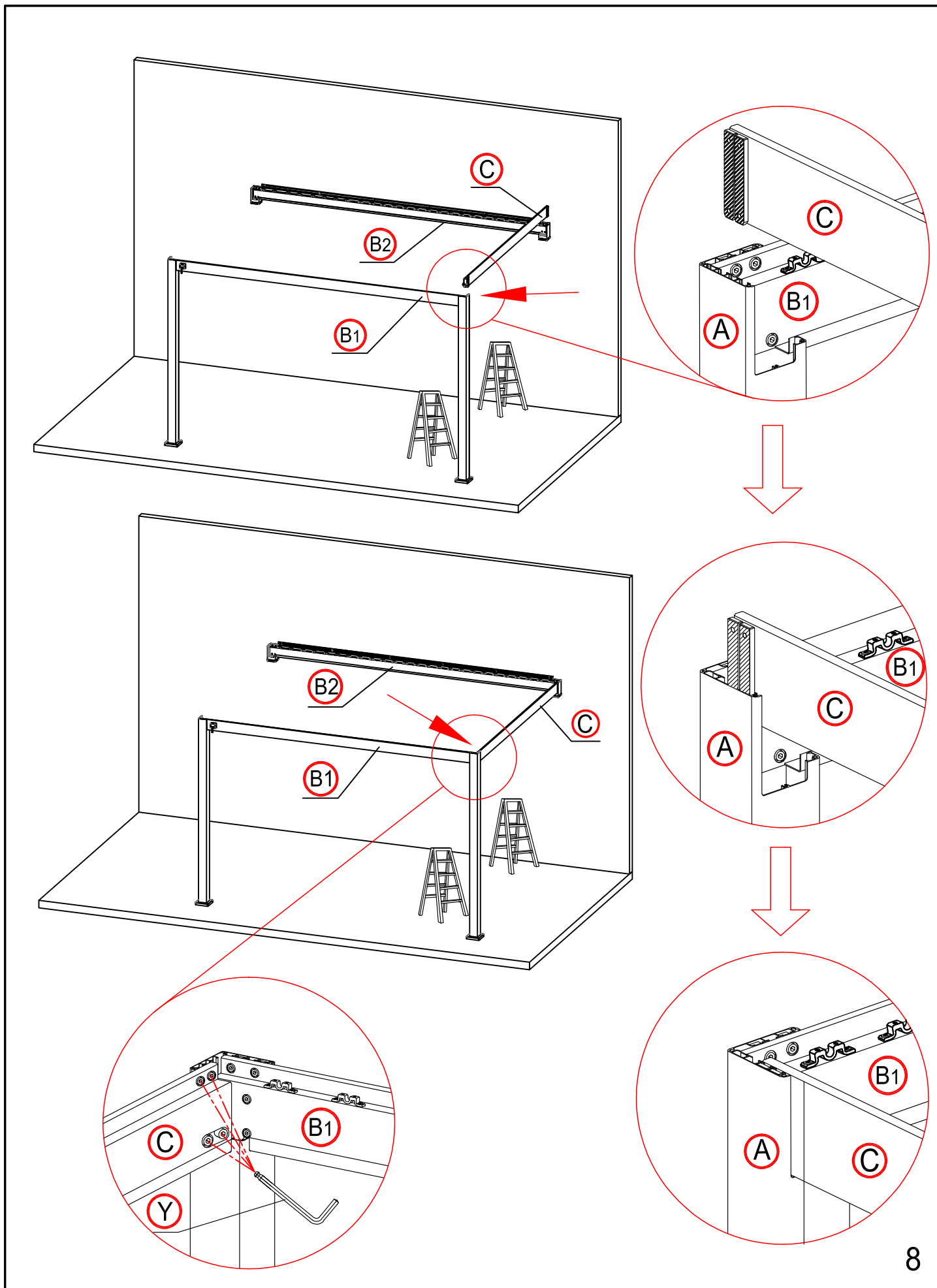


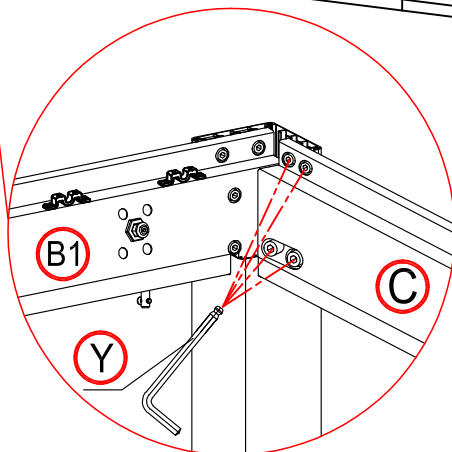
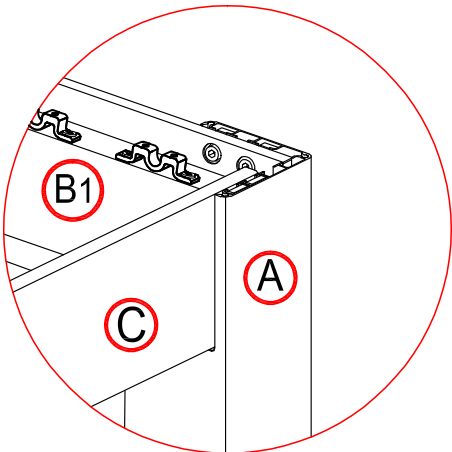
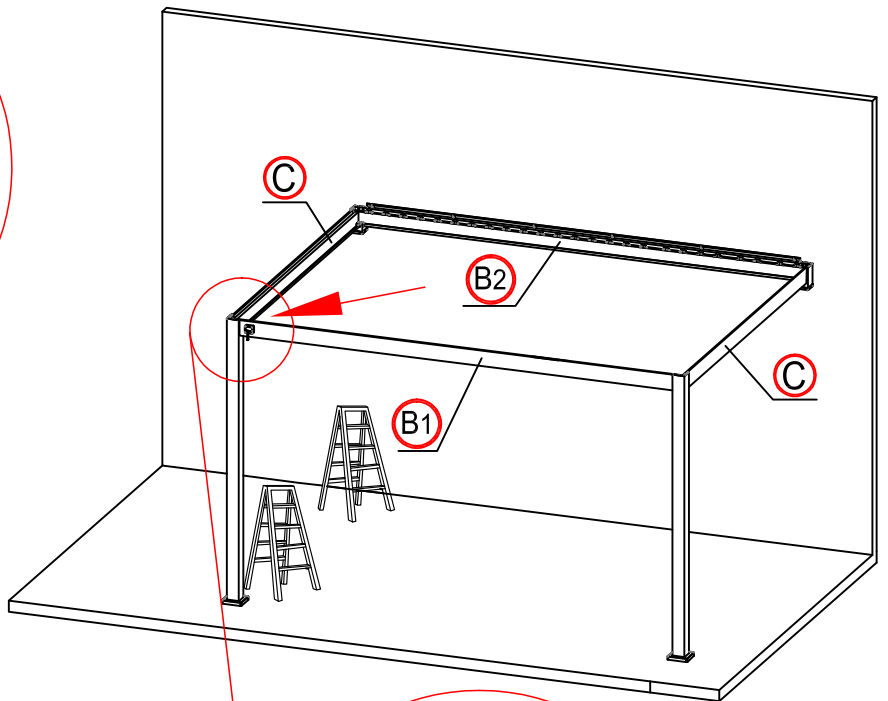
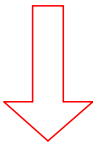
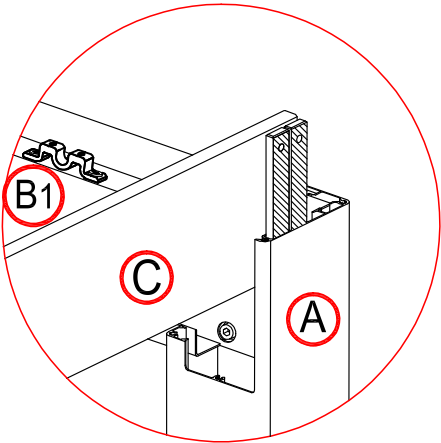
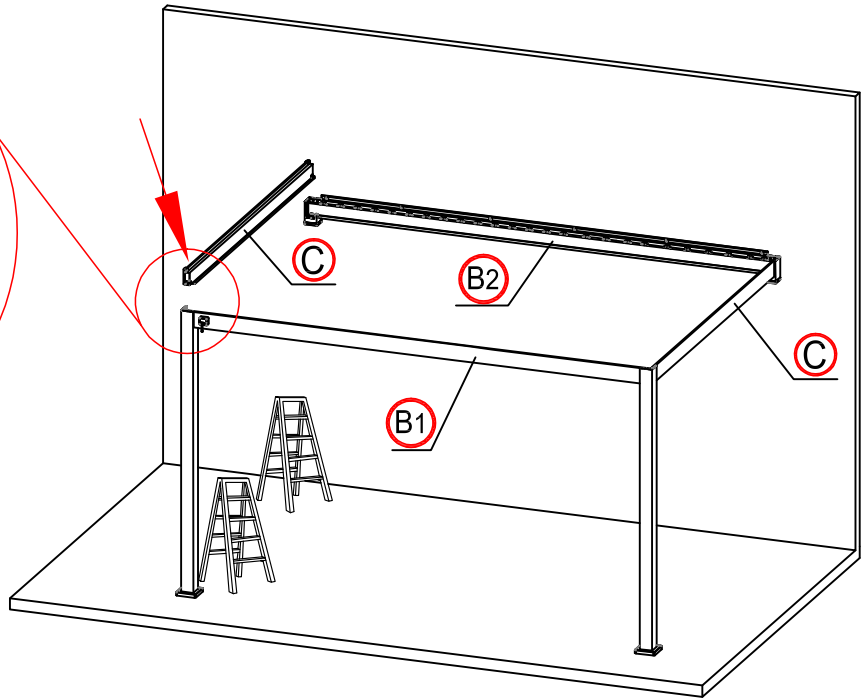
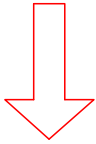
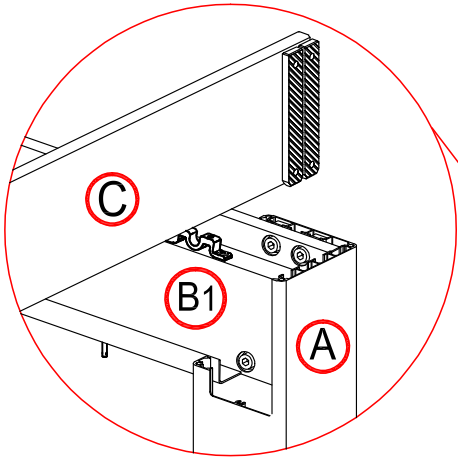
7

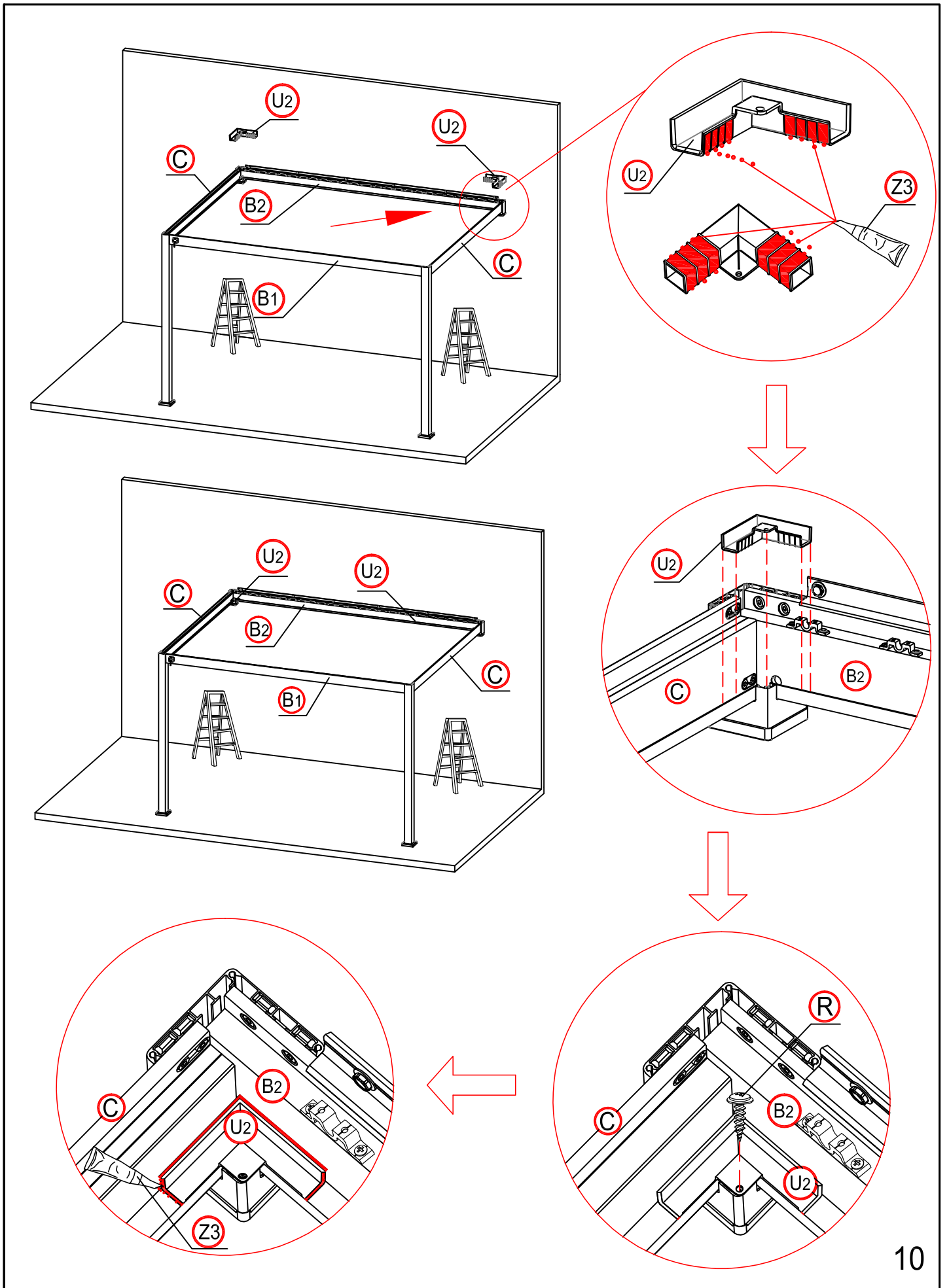


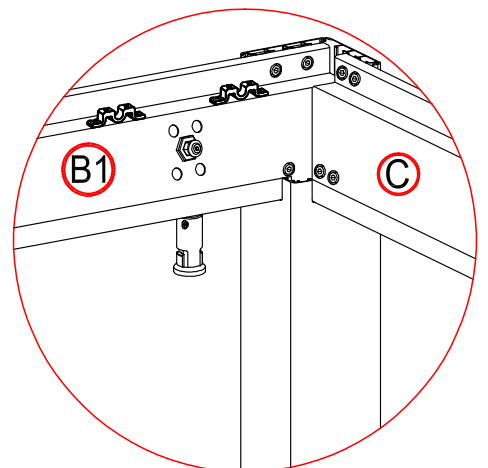
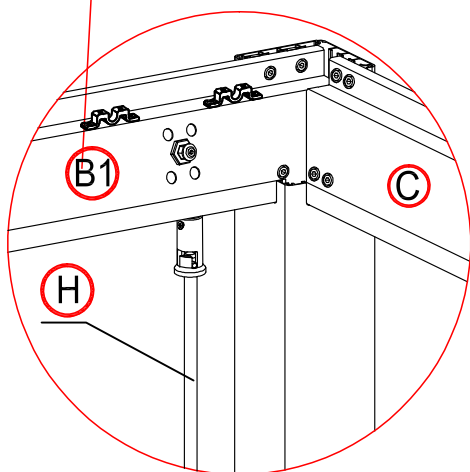
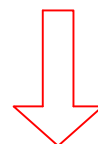
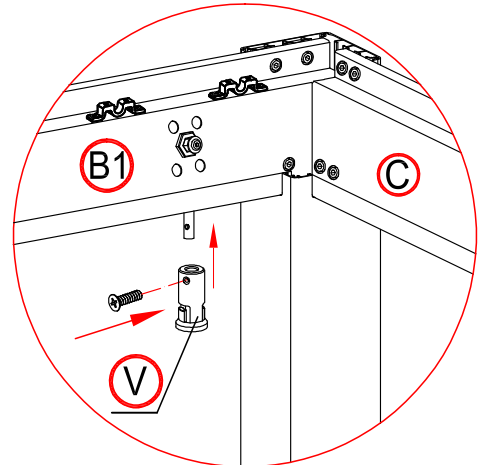
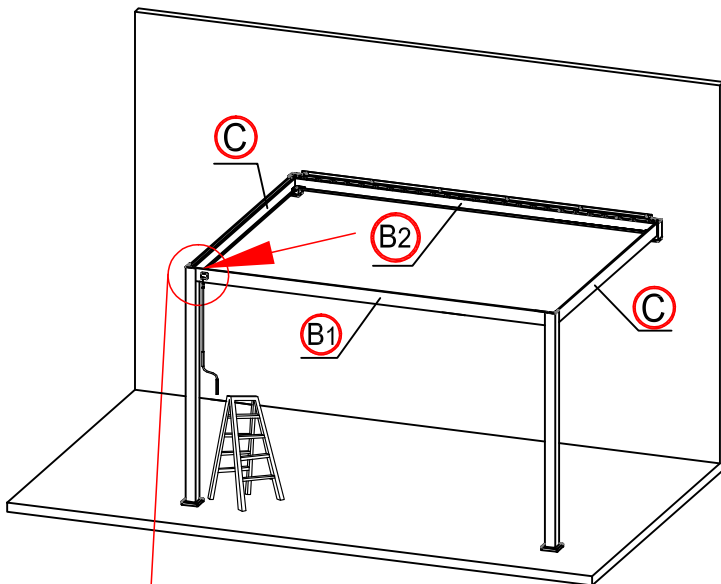
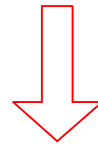
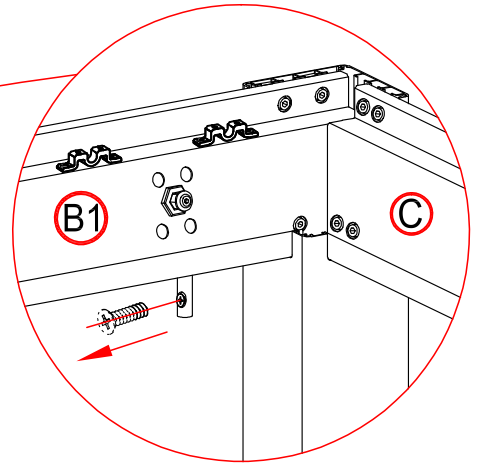
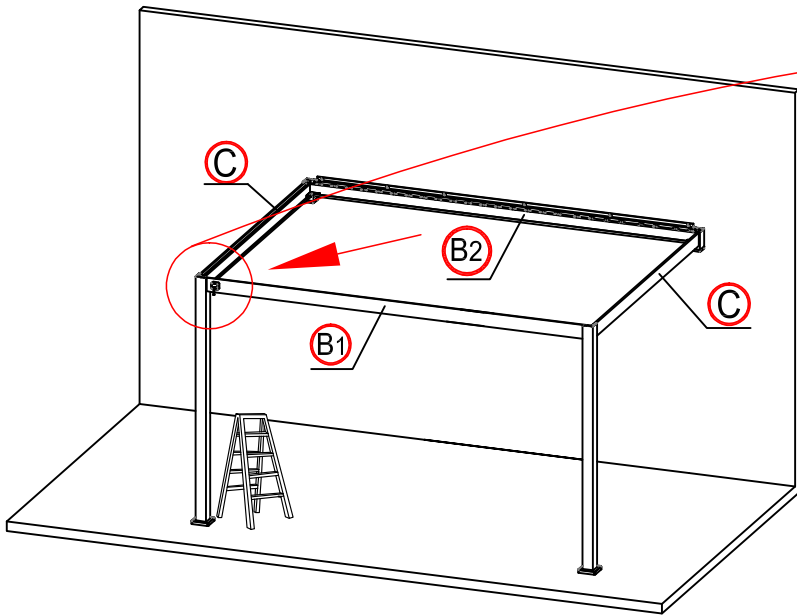
If waterproof performance is highly required, please prepare glass glue by yourself and apply onto the contact surface between the beam fixing part and the wall.



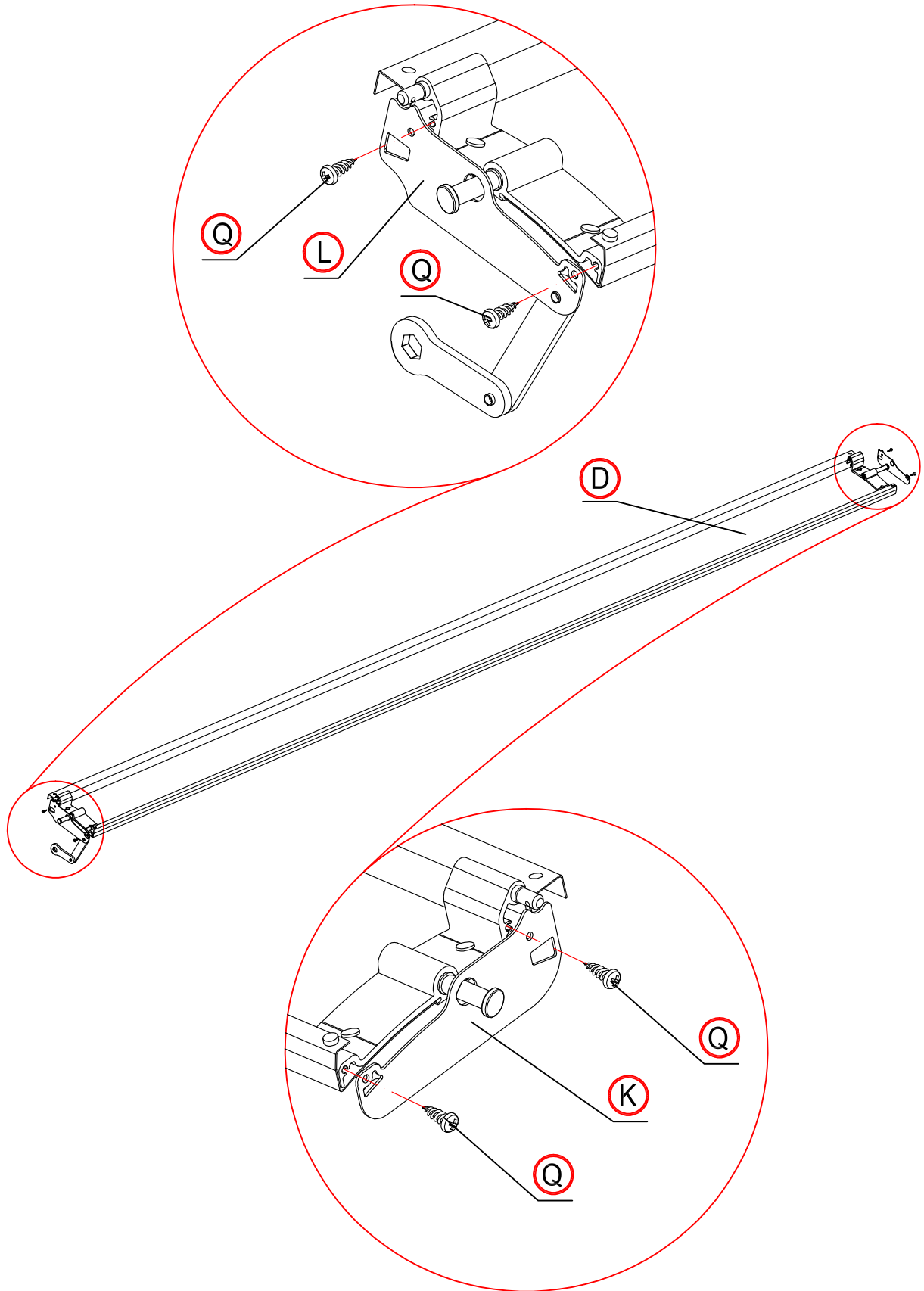


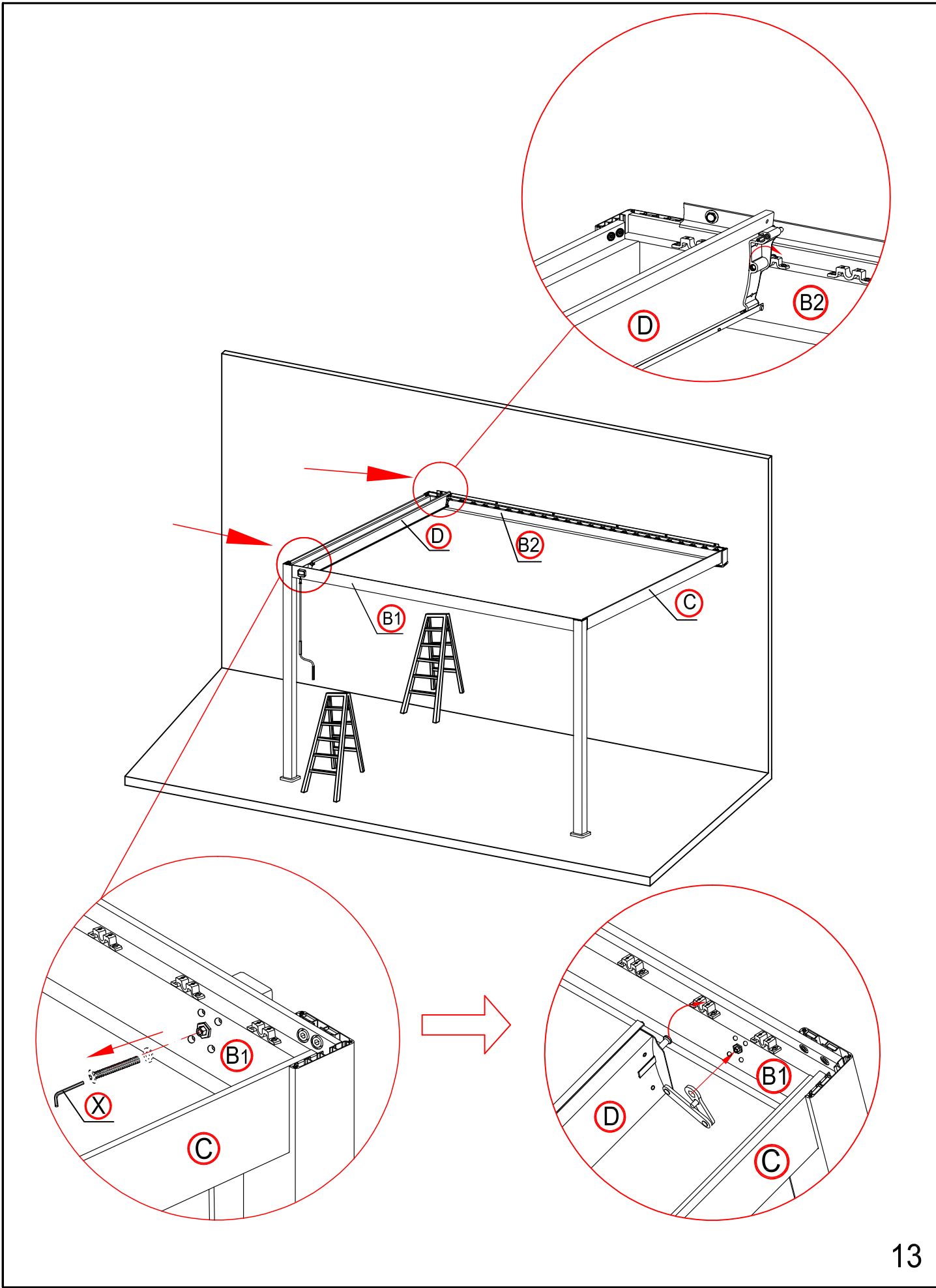




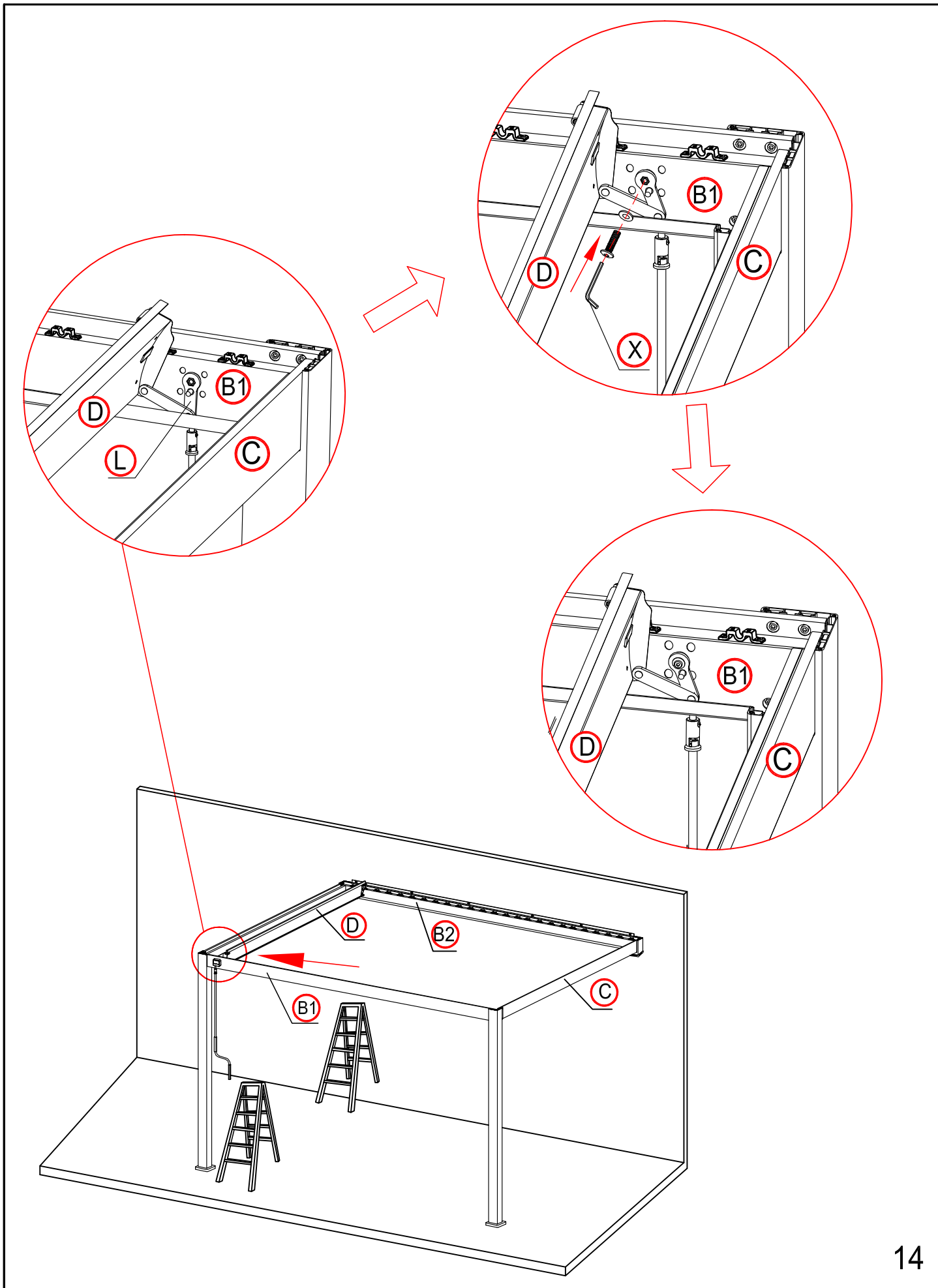


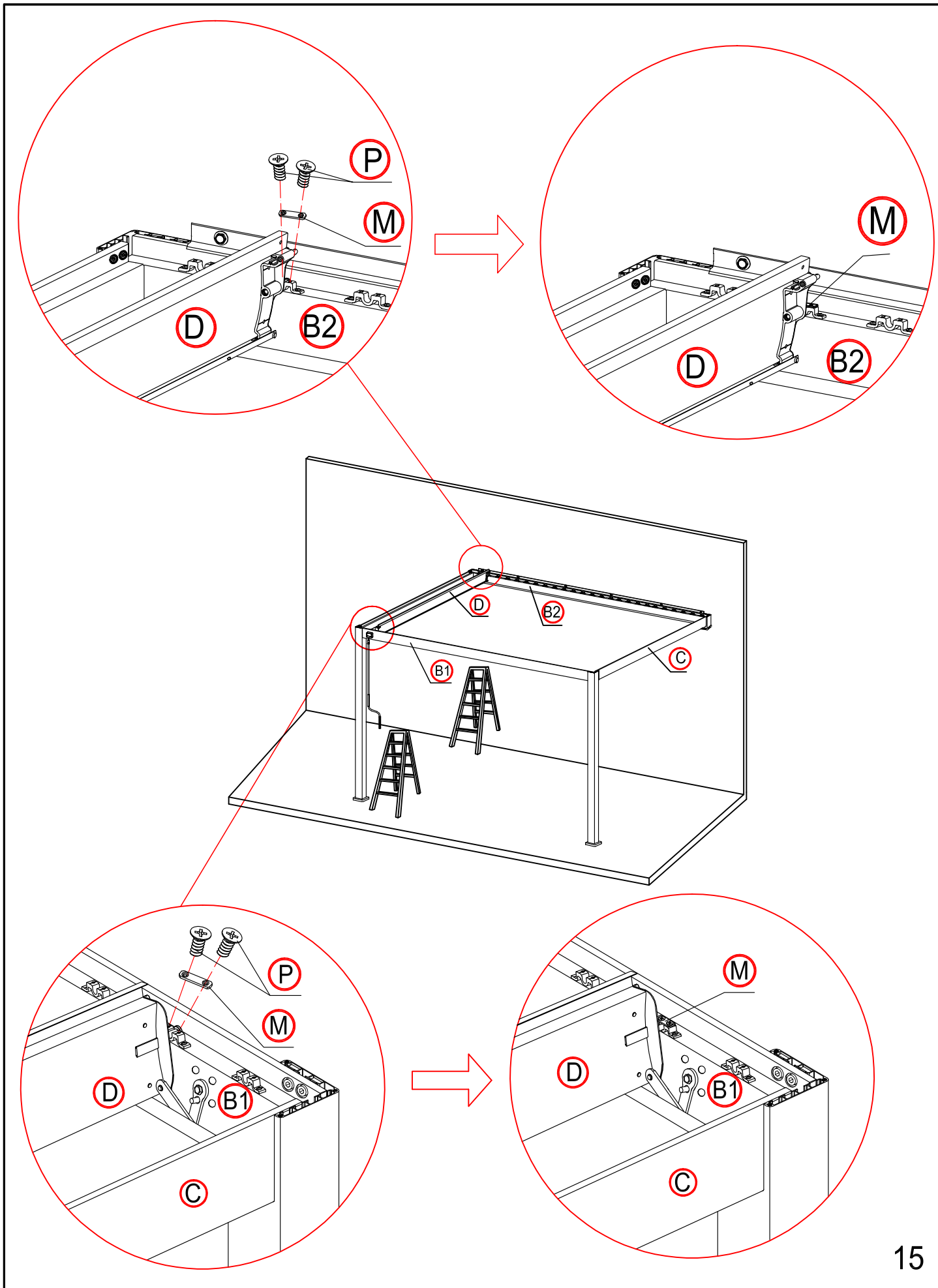
×1 time



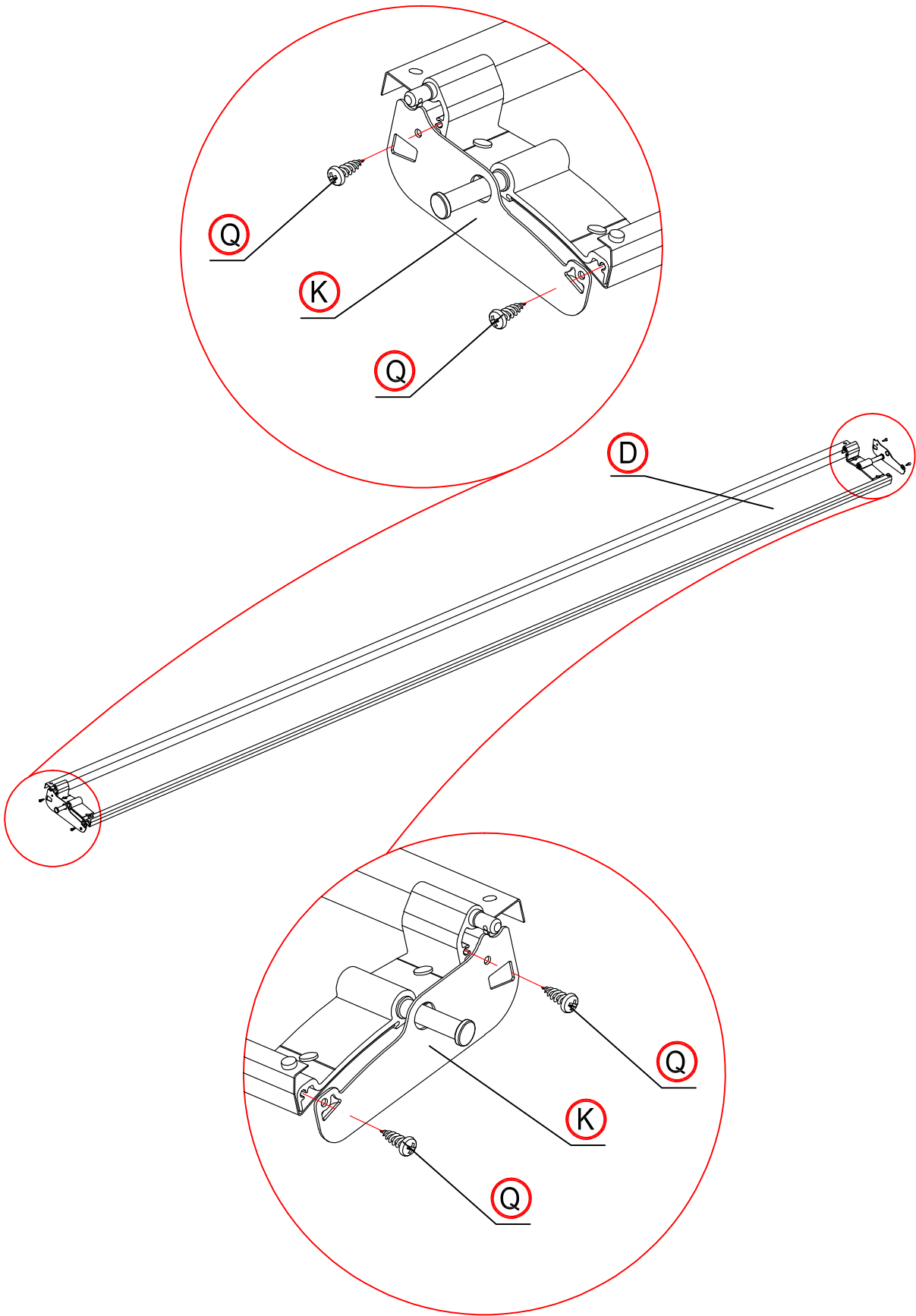


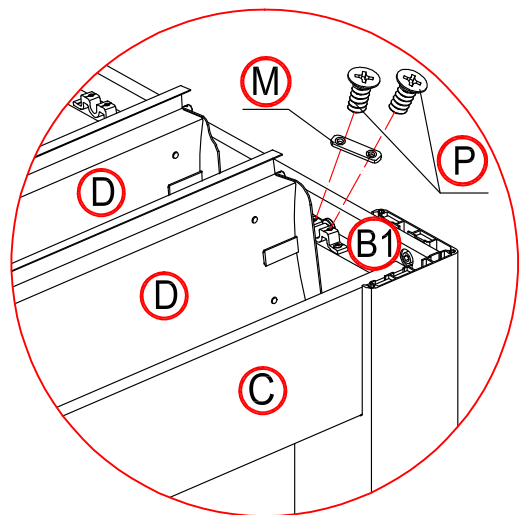
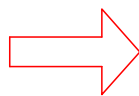
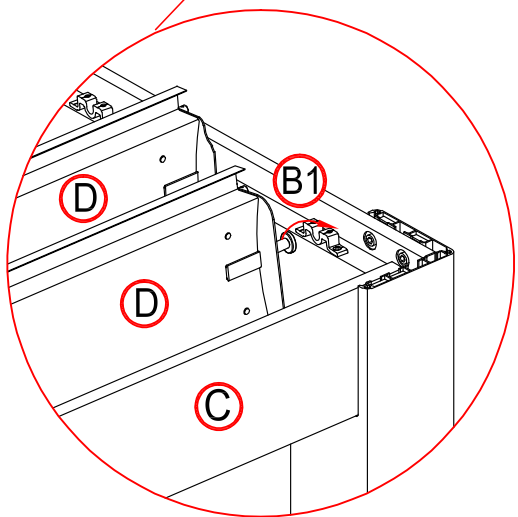
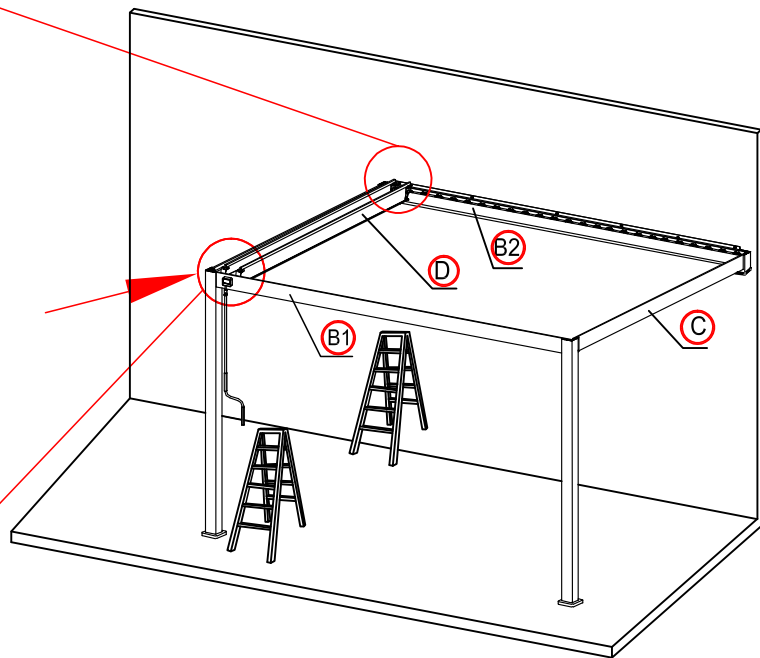
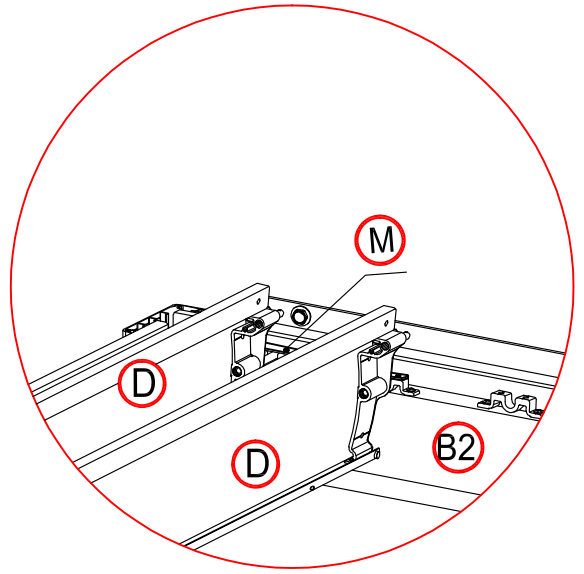
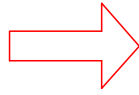
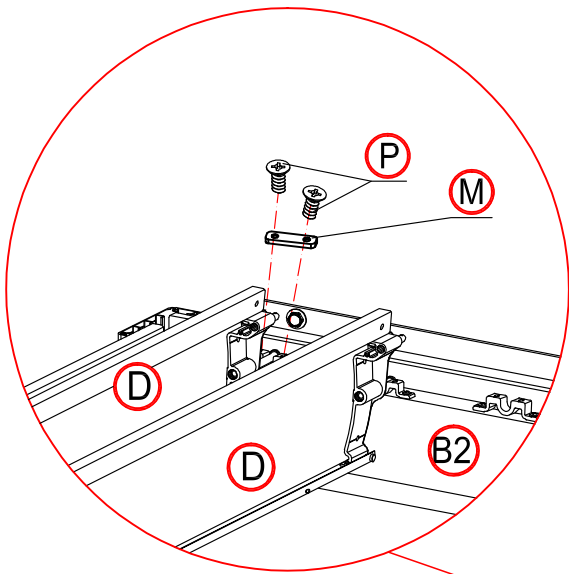
14



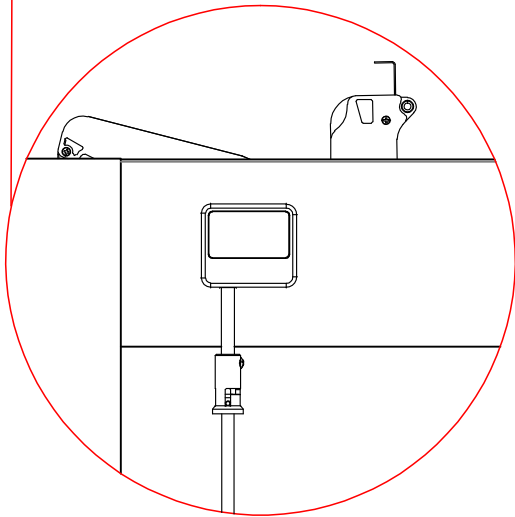
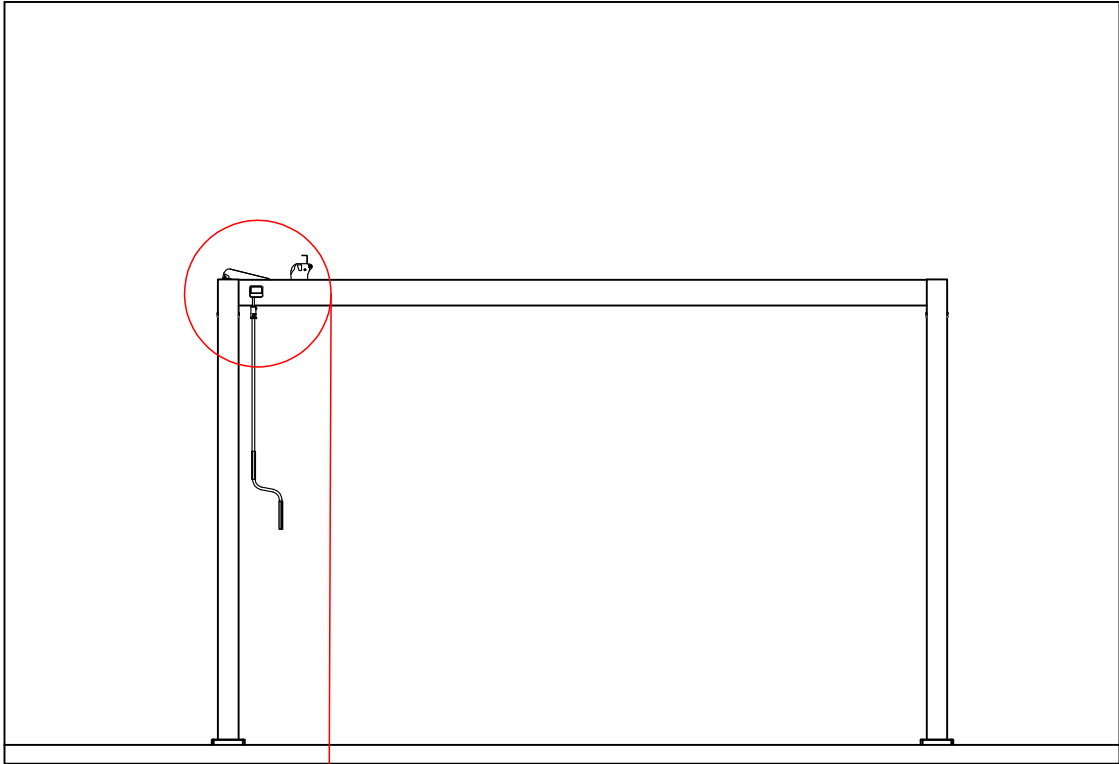


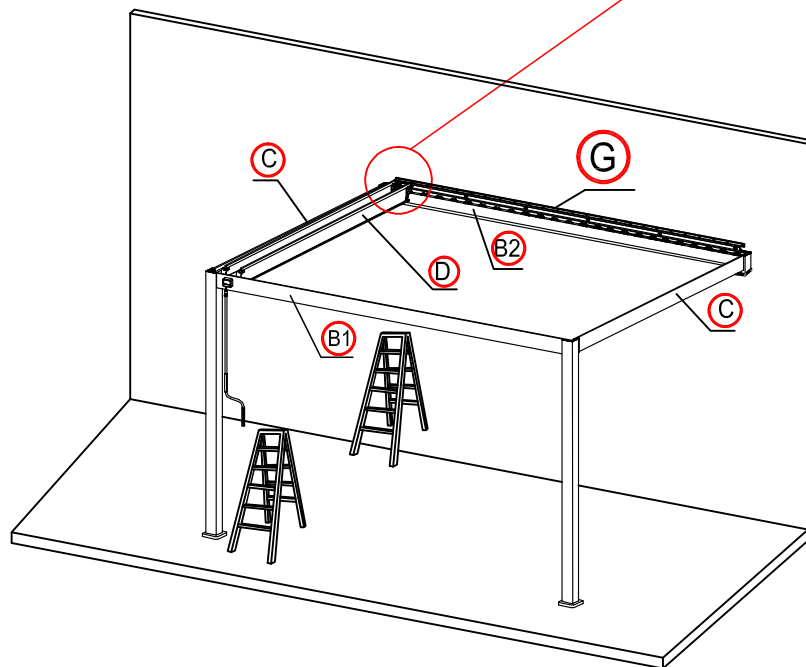
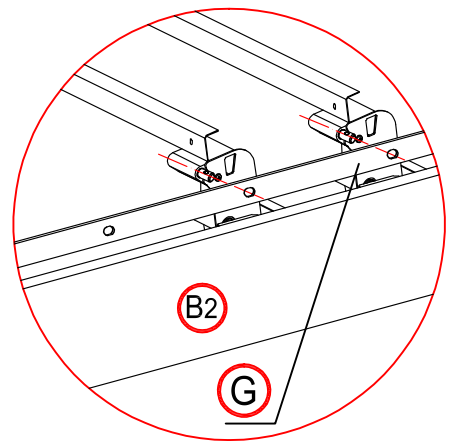
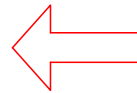
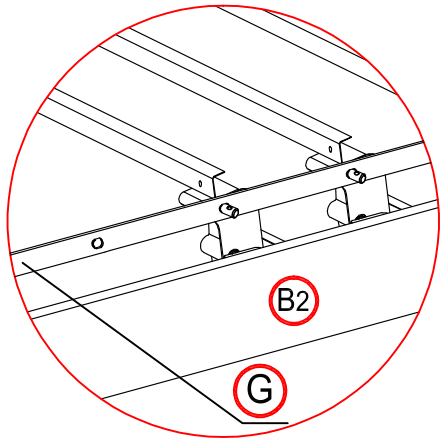
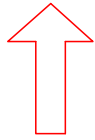
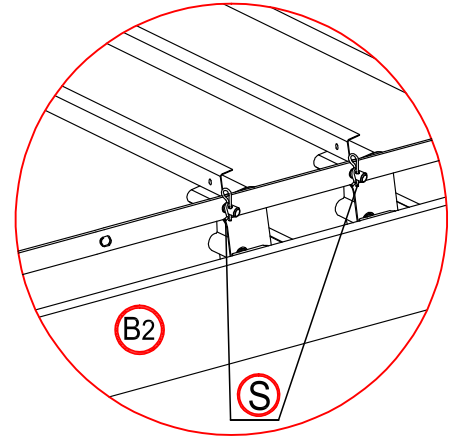
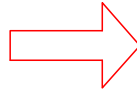
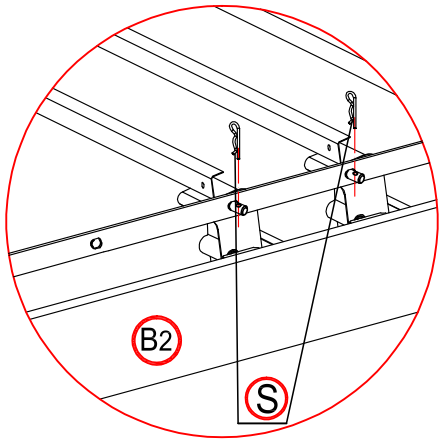
×24 times

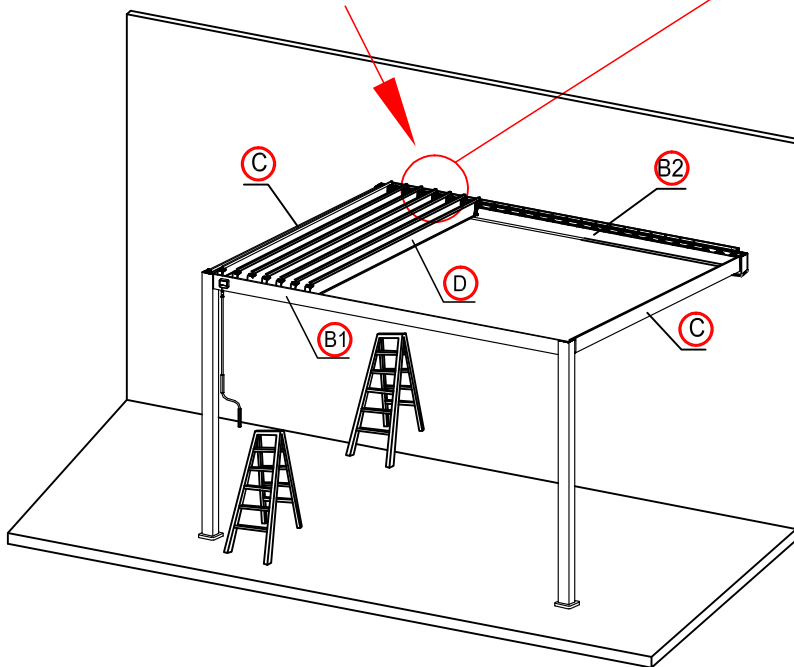
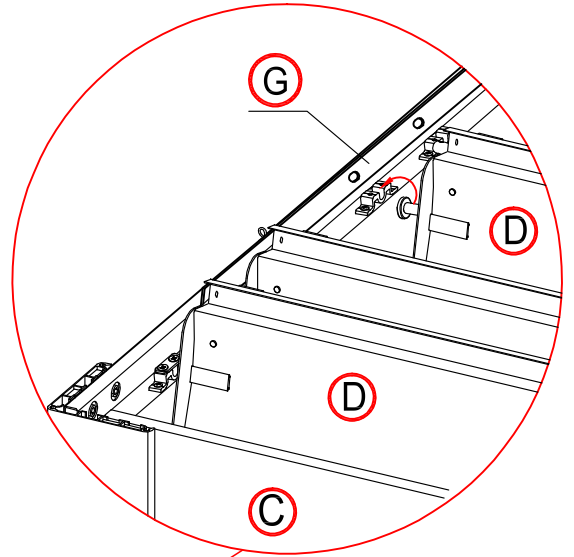
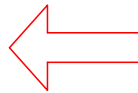
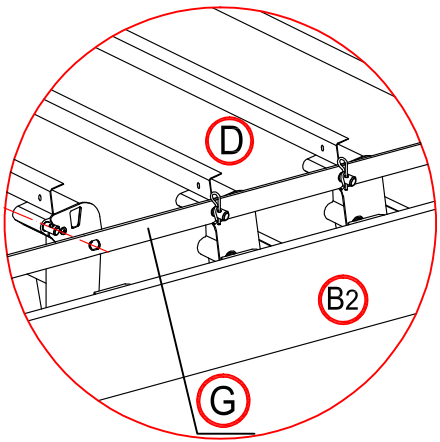
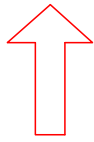
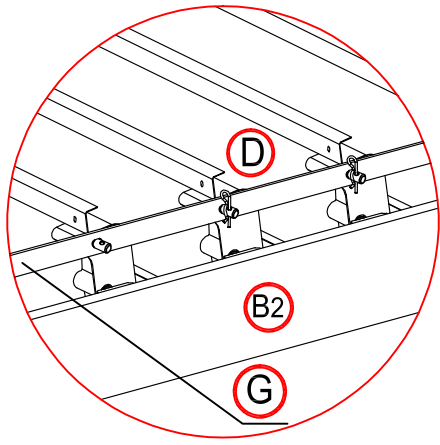


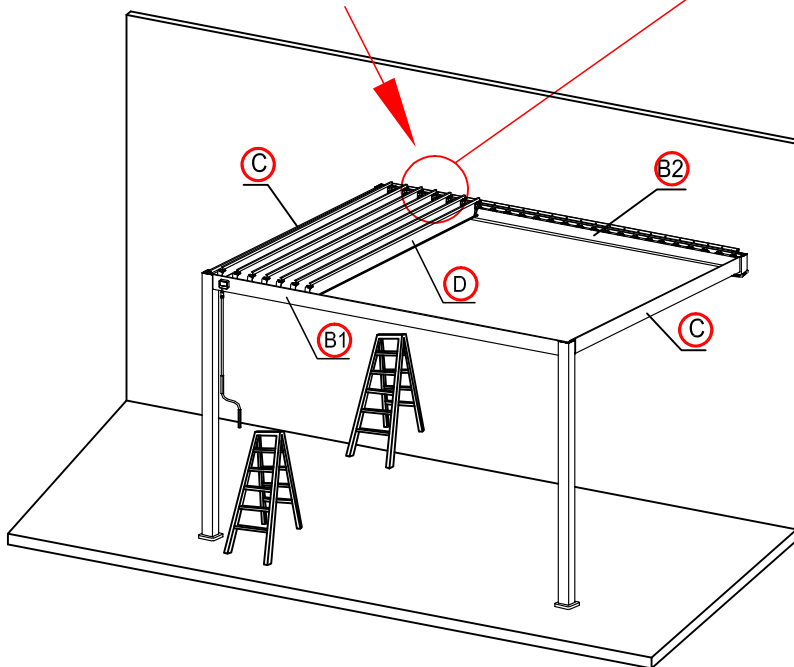
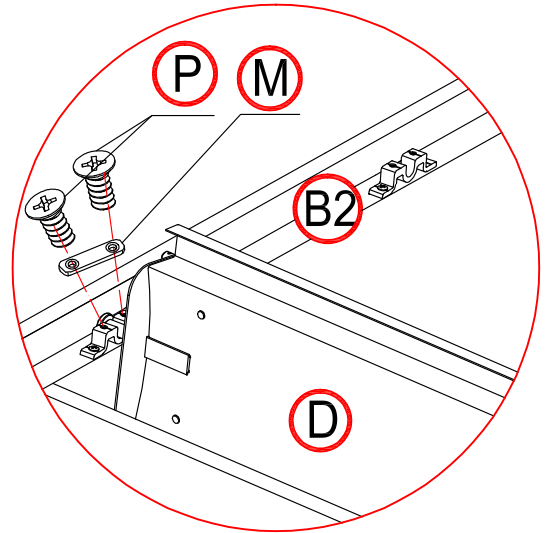
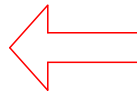
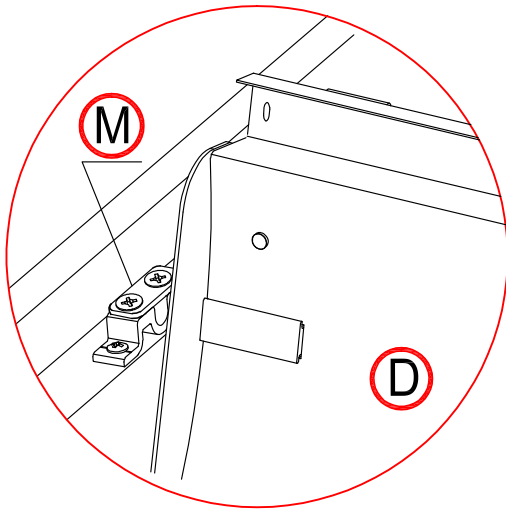
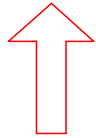
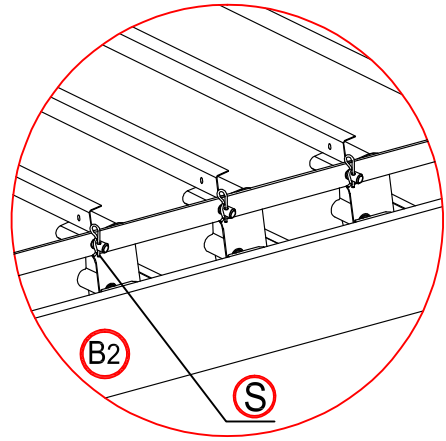
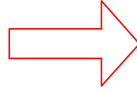
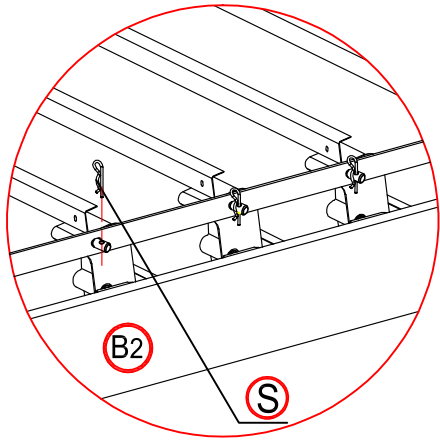


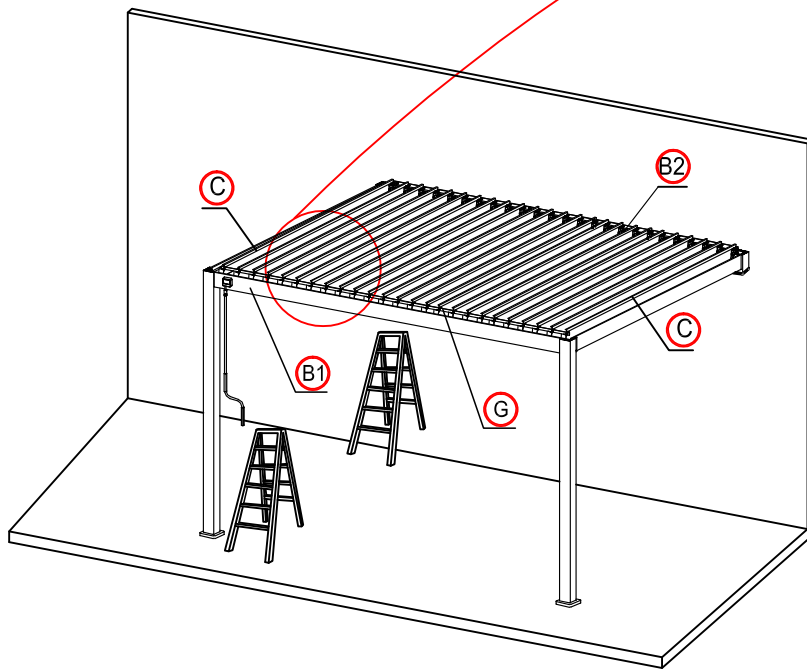
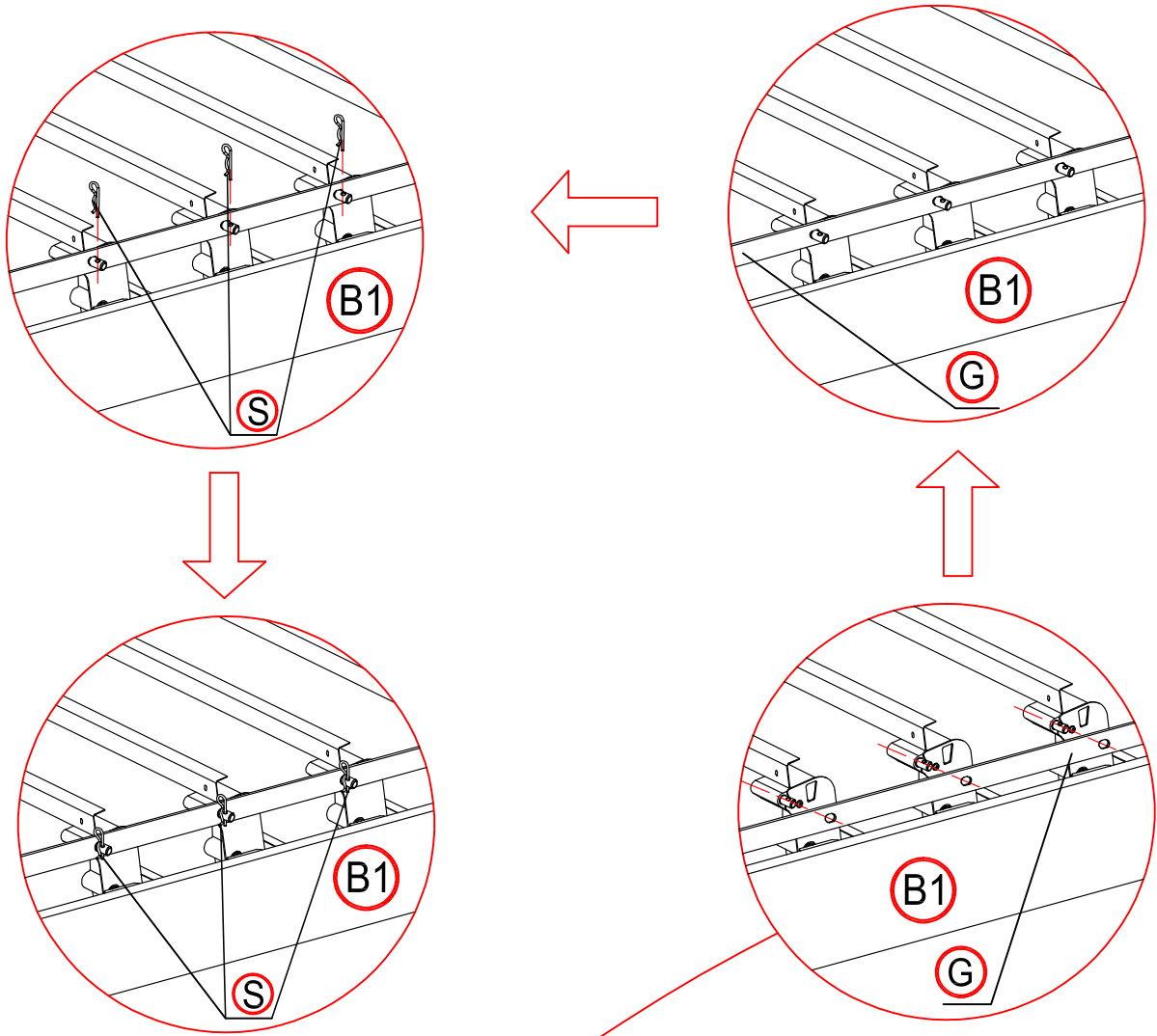
Make the shutter as vertical.



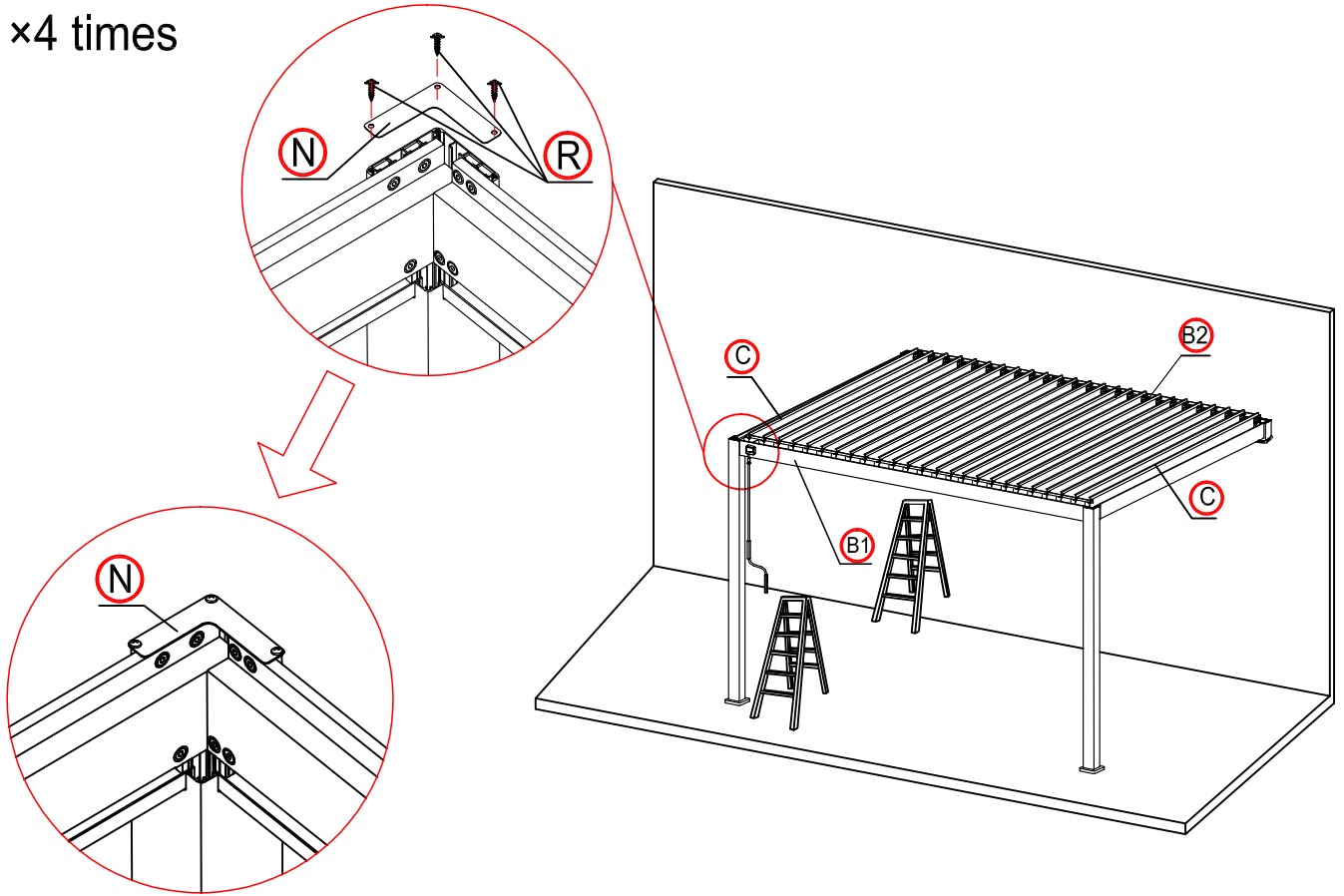






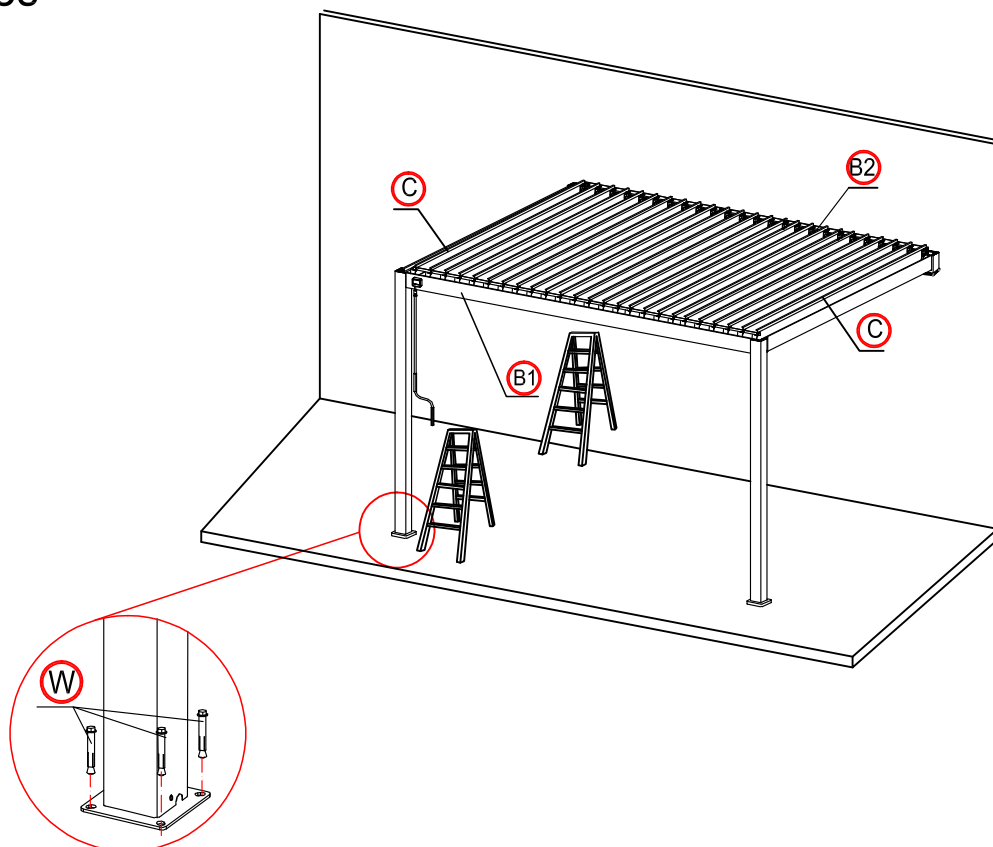


×4 times



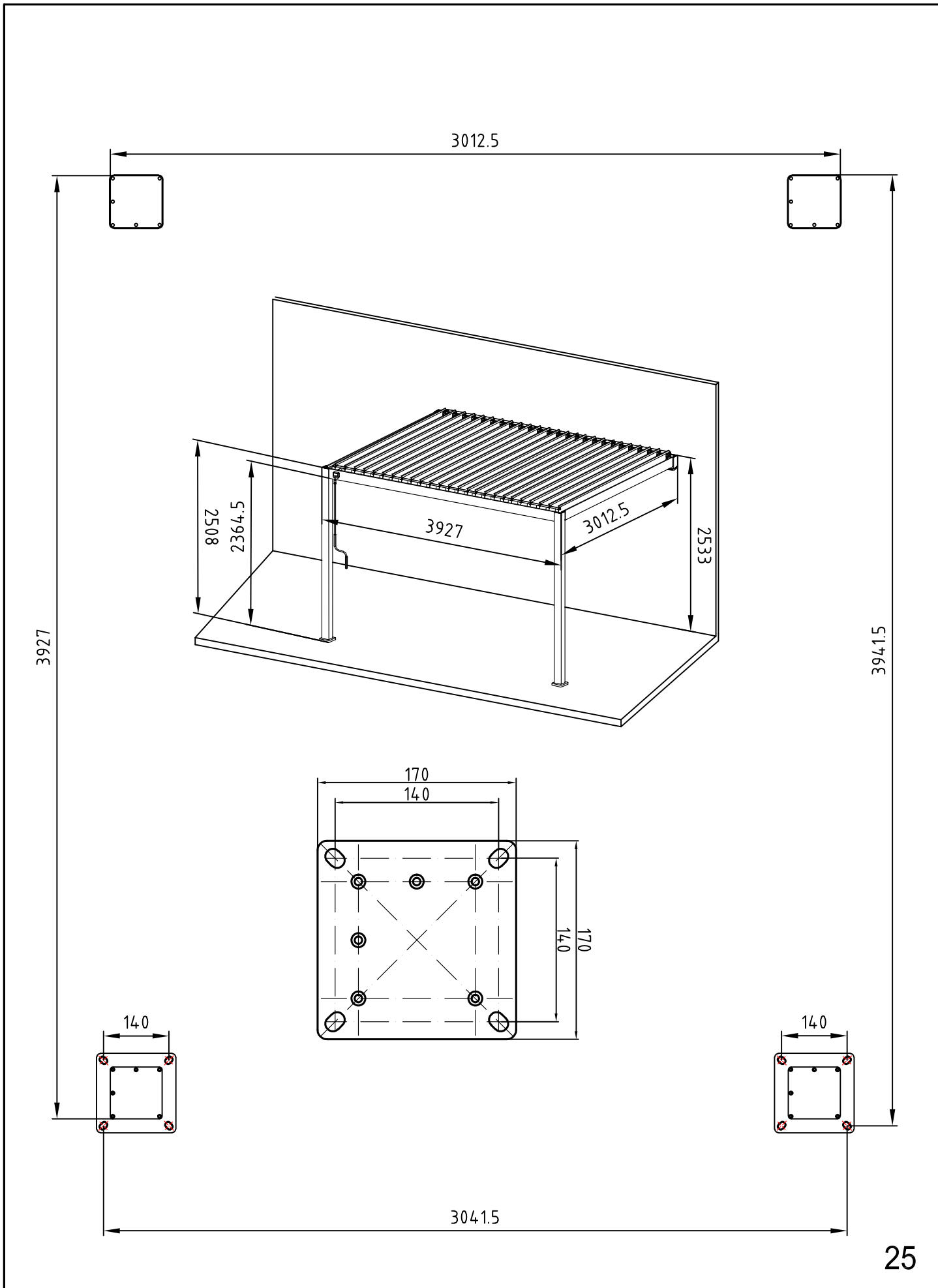
23

×2 times



24

24



25

25